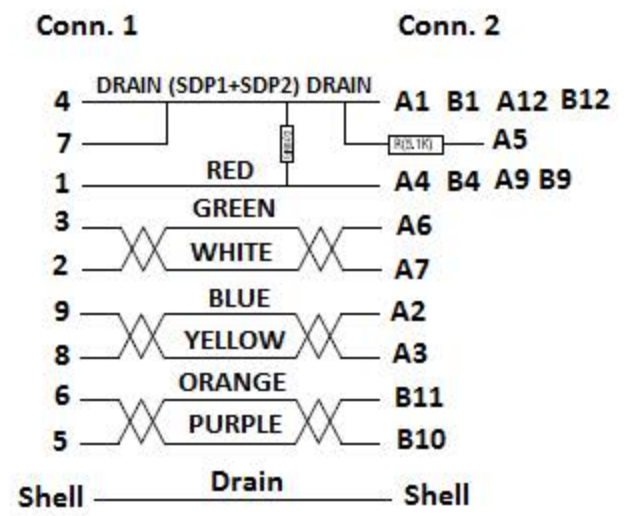


Pin Assignment



- Electrical Test:**
- 100% Test Open, Short, Miss Wire
 - Contact Resistance: 3Ω Max
 - Insulation Resistance: 5MΩ Min
 - Hi-Pot: 300V DC/10MS.

NUMBER	PRODUCT SPECIFICATIONS	Quantity	Unit	Item	Approval	Duty
4	45P PVC Black		G	ROLINE USB 3.0 Cable, AF-CM, Angled (CM), 0.15m, black		
3	USB 3.0 Type C Male (Black Insulator, Nickel Plated)	1	PCS	11.02.9031	Date: 2018.01.26	F16
2	USB 3.0 A Female (Blue Insulator, Nickel Plated)	1	PCS	Hebe		
1	UL 20276 (#32*1P+EAM)*2+#30*1P+#24*2C+AEB OD: 4.5mm, Black PVC Jacket	1	PCS	Approval		
				Sample NO.	Drawings of 1/1 Proportion: 1:1 (mm)	

