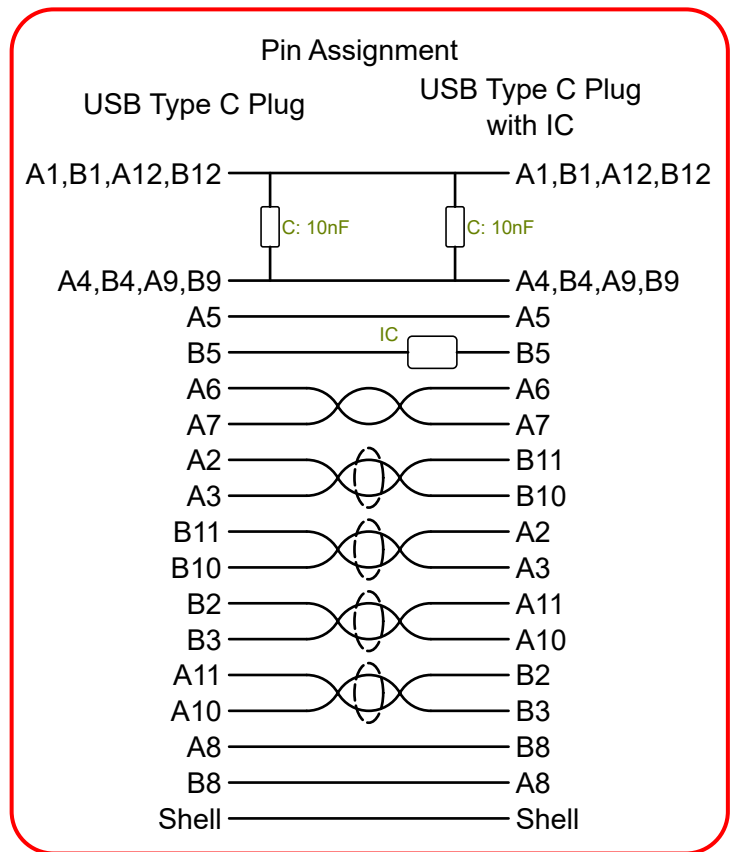
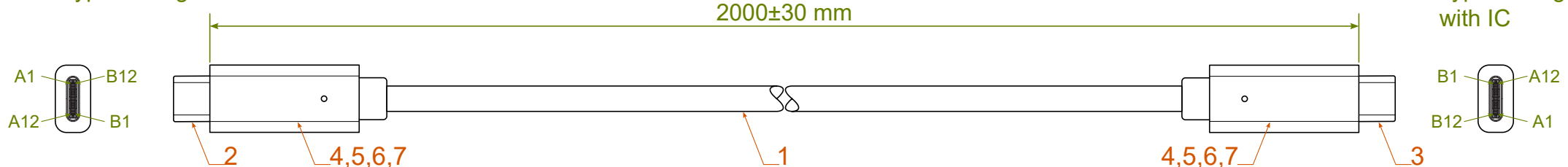


USB Type C Plug

USB Type C Plug with IC



**Specification :**

- |                  |   |
|------------------|---|
| 1. Cable         | [1P(32AWG)+AL+HM]*4 + 1P(32AWG) + 4C(32AWG) + 2C(24AWG) + DAM, Jacket: Black PVC, OD: 4.6mm |
| 2. Conn.         | USB Type C Plug, with E-mark IC, Conductor: Gold Plated, Shell: Nickel Plated               |
| 3. Conn.         | USB Type C Plug, Conductor: Gold Plated, Shell: Nickel Plated                               |
| 4. Inner Molding | LDPE  |
| 5. Outer Molding | Black PVC: 45P  |
| 6. Inner Shield  | Tinplate  |
| 7. Inner Shield  | Copper Foil   |

<b>SECOMP</b>	Product Name	ROLINE USB3.2 Gen2 Cable, C-C, M/M, 2m, black	Approve	Check	Draw	Design	Rev.	Date	Contents of Change	Design
	Product No.	11.02.9055	Allen	Allen	Kuan	Kuan	1			
Issue Date : 2022/09/20			Scale 1:1		Unit : mm		2			
			⊕				3			