

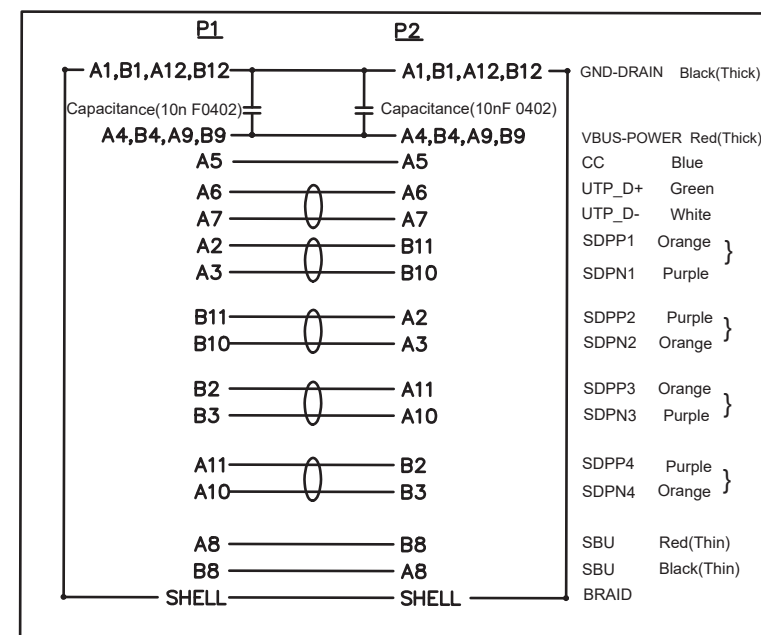
Electric Test:

- 1.No open,short circuit, wrong connection,poor insulation.
- 2.Contact Resistance: 3Ω MAX
- 3.Insulation Resistance: $5M\Omega$ MIN
- 4.Electric Voltage: DC 300V
- 5.Data Transfer: 10Gbps MAX
- 6.PD: 100W MAX

Specification :

1. Cable [1P(32AWG)+AL+HM]*4 + 1P(32AWG) + 4C(32AWG) + 2C(24AWG)+ DAM, Jacket: Black PVC, OD: 5.0mm
2. Conn. USB Type C Plug, with E-mark IC, Conductor: Gold Plated, Shell: Nickel Plated
3. Inner Molding LDPE
4. Outer Molding Black PVC: 35P

WIRE TABLE



Product Name	ROLINE USB3.2 Gen2 Cable, C-C, M/M, 3m, black				Approve	Check	Draw	Design	Rev.	Date	Contents of Change	Design
	Product No.	11.02.9065				Allen	Allen	Oswald	Oswald	1		
Issue Date : 2024/8/7								2				
								3				
						Scale 1:1		Unit : mm				