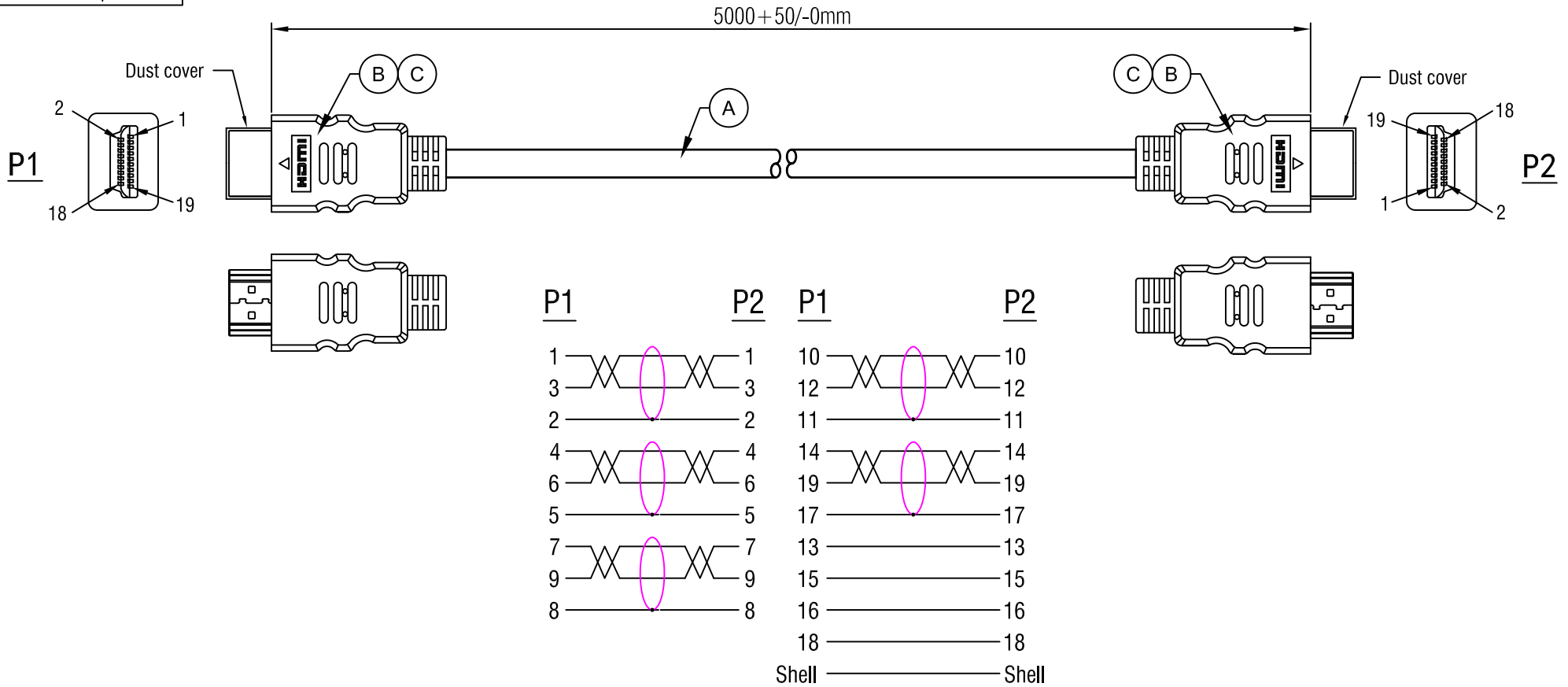


RoHS Compliant



Electrical Test:

- 1.100% TEST OPEN SHORT MIS-WIRE.
- 2.CONTACT RESISTANCE:3Ω MAX.
- 3.INSULATION RESISTANCE:5MΩ MIN.
- 4.HI-POT:300V DC/10MS.
- 5.Real Test Passed 3840\*2160P 144Hz or 7680\*4320P 60Hz.
- 6.Real Test Not Twinkling,Double Vision and Decolor.

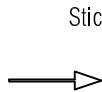
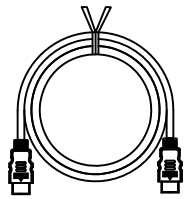
HDMI Cable 8K (7680×4320) , MM,5m

C	45P PVC BLACK		G
B	HDMI 19P MALE(Black Insulator ,Gold Plated)	2	PCS
A	UL 20276 (28#*1P+DAM)*5+28#*5C+ADB,OD:7.3mm,BLACK PVC JACKET.	1	PCS
NUMBER	PRODUCT SPECIFICATIONS	Quantity	Unit

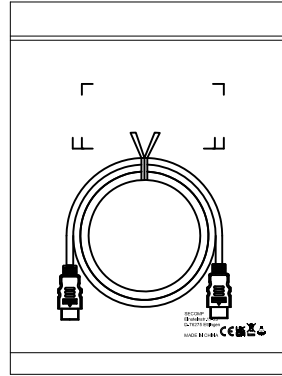
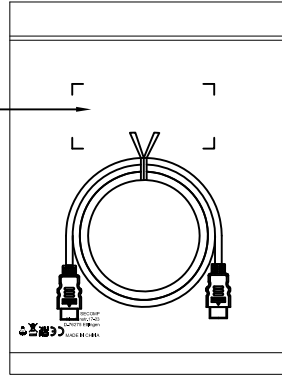
Item	11.99.5904
Draw	<i>Kobe</i> Date: 2022.08.29
Approval	
Duty	F16

**SECOMP**

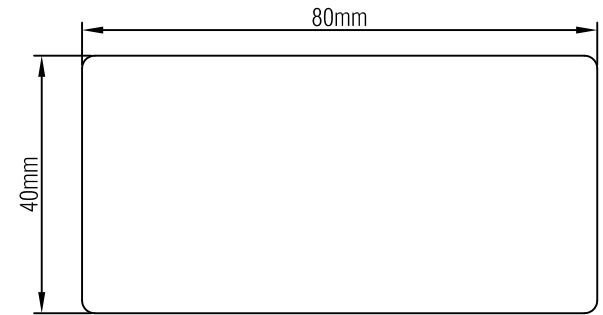
RoHS Compliant



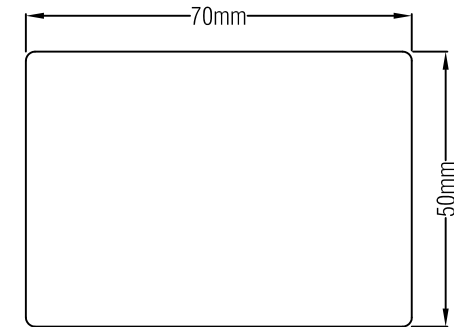
Sticker



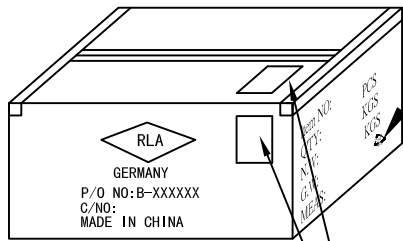
1PCS/PE BAG(0.06\*280\*360mm)+STICKER



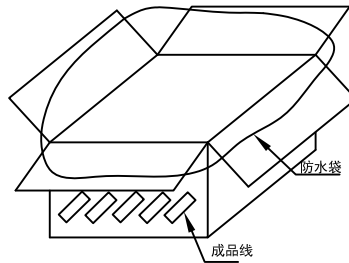
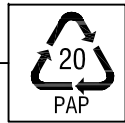
Sticker



Carton Sticker



10PCS/CARTON  
(350\*250\*150mm)



Sticker(2cm distance from edge of carton)

HDMI Cable 8K (7680×4320) , MM,5m

Item 11.99.5904

Draw *Kobe* Date: 2022.08.29

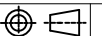
Approval

Duty F16

**SECOMP**

Sample NO. |

Drawings of 1 (1) | Proportion: 1:1 | Unit(mm)



A4