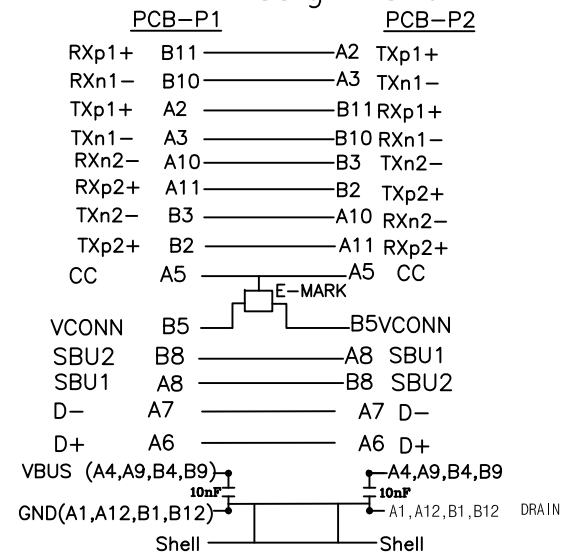



Test:
 1, 100% Test (Open, Short and Miss Wire);
 2, Conductor Resistance: 3Ω (Max);
 3, 40Gbps;5A;

Pin Assignment



9	Type-c She11~21*12.3*6.4mm~Black~PC 65%+ABS 35% 2950	2	PCS
8	TPE~45P (87A+/-3A) ~Black	8	g
7	USB TYPE-C~COAX~She11 2~23.86*10.15	2	PCS
6	USB TYPE-C~COAX~She11 1~23.95*9.7~ (OD5.0~5.4)~50~80u"	2	PCS
5	USB4 TYPE C PCBA WITH E-MARK~PCB	2	PCS
4	USB4 TYPE C PCBA~PCB	2	PCS
3	USB TYPE-C COAX CLIP 2~PA66+15%GF~BLACK~30+34+23+34AWG	2	PCS
2	USB TYPE-C COAX CLIP 1~PA66+15%GF~BLACK~30+34+23+34AWG	2	PCS
1	[30AWG(7/0.10SC)+S(48/0.05TC)+CU+M]*8COAX+[34AWG(7/0.06TC)+S(28/0.05TC)+CU+M]*2COX+23AWG(41/0.10TC)*1C+34AWG(19/0.04TC)*1C+[34AWG(19/0.04TC)+150Dnylon+A]*3C+A2E2S~OD:5.0MM~TPE~BLACK	0.8	M

		INCHES	M/M		
	.X	.015	.30		
	.XX	.010	.10		
	.XXX	.005	.05		
DRAWN BY				CUSTOMER P/N : 11.99.9081	
CHECK BY		SCALE	NONE	REV. A1	
APPD BY		UNIT	MM		
		DATE	2021.03.25		

NO	ITEM	DESCRIPTION	Q'TY	UNIT
----	------	-------------	------	------