

# CL1000N

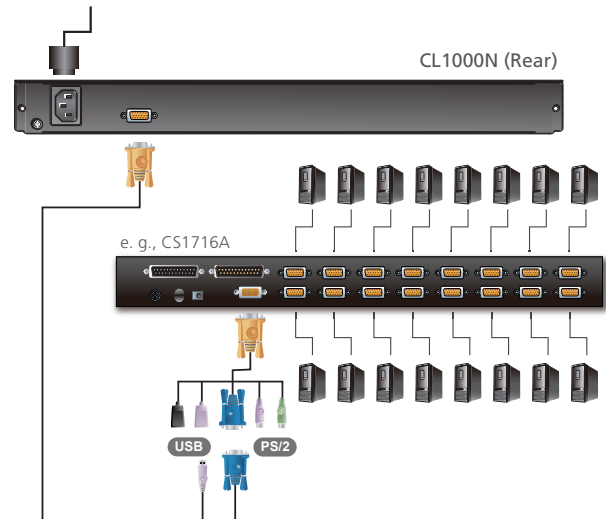
## LCD Console

- The CL1000N is a LCD KVM console that features an integrated 19" LED-backlit LCD panel, full keyboard, and touchpad in a 1U rack-mountable housing. This model provides convenient 'at the rack' console access to KVM switches already installed at your site.



## Features

- Exclusive LED illumination light – designed by ATEN to illuminate the keyboard and touchpad to allow visibility in low-light conditions
- Integrated KVM console with a 19" LED-backlit LCD monitor in a sliding housing with top and bottom clearance for smooth operation in a 1U high system rack
- LCD module rotates up to 115° for a more comfortable viewing angle
- Improved design – optional single person installation kit
- Compatible with most KVM switches
- Internal power supply
- High video resolution:
  - Up to 1280 x 1024 @75Hz
  - Supports DDC, DDC2, DDC2B
  - DDC emulation of the LCD monitor – Video settings of attached computers are automatically adjusted for optimal output to the LCD monitor
- Keyboard language support: Keyboard Language supports English (US), English (UK), French, German, German (Swiss), Greek, Hungarian, Italian, Japanese, Korean, Russian, Spanish, Swedish and Traditional Chinese



Rack Mount Kit	Depth (cm)
Long(Optional)	70 - 105
Short (Standard)	52 - 85

Easy Installation Rack Mount Kit	Depth (cm)
Long(Optional)	68 - 105
Short(Optional)	57 - 70

## Specification

Function		CL1000N
Connectors	KVM Ports	1 x SPHD-15 Female (Yellow)
	Keyboard/Video/Mouse	
Switches	Power	1 x 3-prong AC Socket
	LCD Adjustment	4 x Pushbuttons
LEDs	LCD Power	1 x Pushbutton
	CPU	1 (Green)
	Num Lock	1 (Green)
	Caps Lock	1 (Green)
	Scroll Lock	1 (Green)
Emulation	Keyboard/Mouse	PS/2, USB (with 2L-52 x UP USB KVM cable)
Video		1280 x 1024@75Hz; DDC2B
I/P Rating		100-240 VAC; 50/60 Hz; 1A
Power Consumption		120V, 23W / 230V, 24W
Environment	Operating Temp.	0-50°C
	Storage Temp.	-20-60°C
	Humidity	0-80% RH, Non-condensing
Physical Properties	Housing	Metal+Plastic
	Weight	11.06 kg
	Dimensions (LxWxH)	48.30 x 58.52 x 4.40 cm

