

# Installation Instructions

VESA: 75 X 75 & 100 X 100mm

Maximum load capacity: 8 kg

## 17.99.1120

VALUE LCD Monitor Wall Mount Kit, 1 Joint, black

## 17.99.1121

VALUE LCD Monitor Wall Mount Kit, 2 Joints, black

## Safety information

Read the entire installation instructions before you start installation and assembly. If you have any questions regarding any of the instructions or warnings, please contact your local distributor for assistance.

**CAUTION:** Use with products heavier than the rated weights indicated may result in instability causing possible injury.

Please closely follow the assembly instructions. Improper installation may result in damage or serious personal injury.

Safety gear and proper tools must be used. This product should only be installed by professionals.

Make sure that the supporting surface will safely support the combined weight of the equipment and all attached hardware and components.

Use the mounting screws provided and **DO NOT OVER TIGHTEN** mounting screws.

This product contains small items that could be a choking hazard if swallowed. Keep these items away from children.

This product is intended for indoor use only. Using this product outdoor could lead to product failure and personal injury.

**IMPORTANT:** Ensure that you have received all parts prior to installation. If any parts are missing or faulty, contact your place of purchase for a replacement.

**MAINTENANCE:** Check that the product is secure and safe to use regular intervals (at least every three months).

### 1st step:

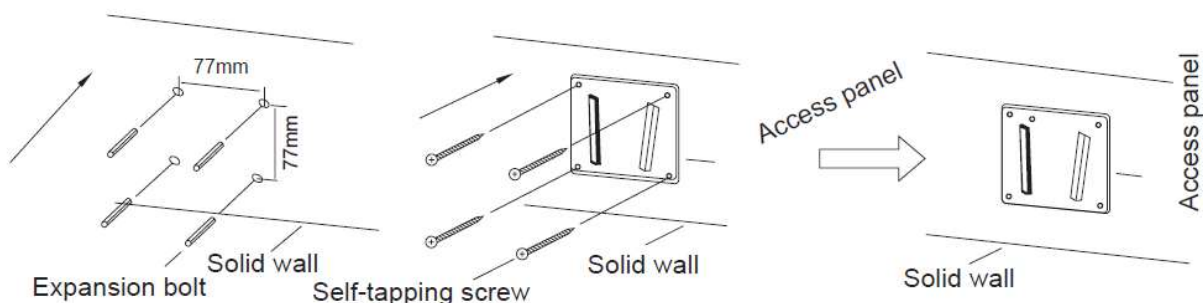
Use a tool to drill four holes in the wall. The distance between the holes has to be as shown below. Insert expansion bolts into four drilled holes.

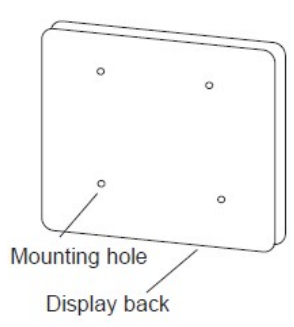
Place the access panel on the wall as shown below, with the four holes in the panel aligned with the four holes in the wall.

Screw four self-tapping screws into the expansion bolts.

### Note:

The installation must be on a solid wall, and the depth of the drilled holes in the wall must be consistent with the length of the expansion bolts.



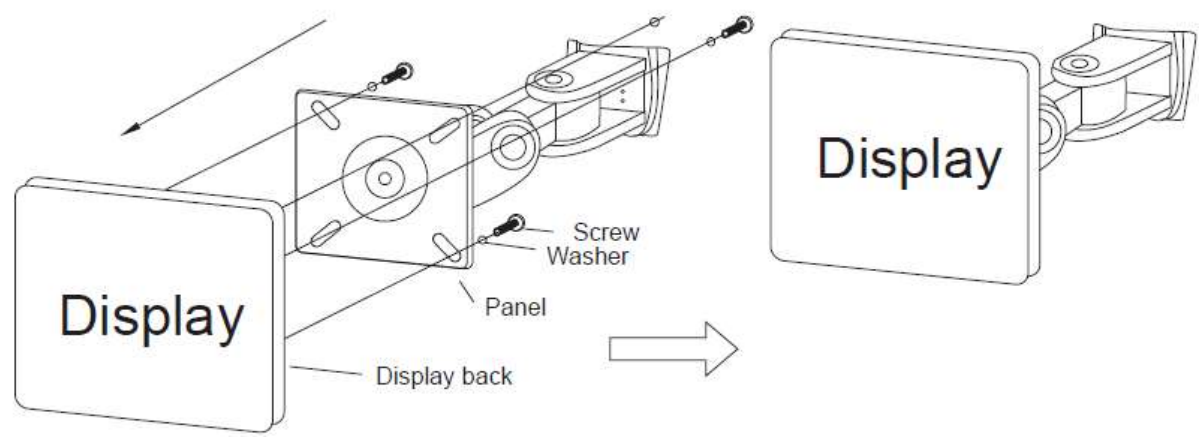


**2nd step:**

Lock the four M4 screws into the mounting holes in the back of the display through the holes in the bracket panel.

**Note:**

Please note the positive and negative direction of the display. The length of M4 screws must be consistent with the depth of mounting holes.



**3rd step:**

Insert the display mounted bracket vertically into the access panel, then screw locking screw.

**Note:**

The locking screw must be installed to avoid that the display falls down.

