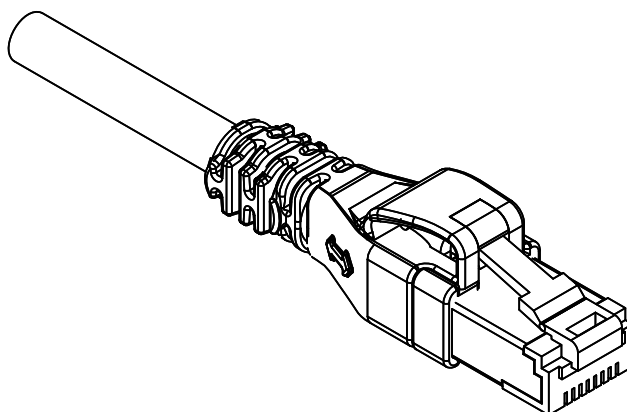



Technical Datasheet

EasyLan[®] Patch Cord DualBoot[®] PushPull Cat.6_A ISO/IEC

Article No. : see on page 3



e d c b a	Änderung Änderung Änderung POE++ ergänzt Neuerstellung	11.07.2023 15.11.2021 22.08.2019 06.06.2019 21.05.2019	MW MW LP SP LP	drawn 21.05.2019 LP	 EasyLan[®] <i>...for a better connectivity</i>		
				appr. 21.05.2019 MJ		Dimensions: mm Original: DIN A4 Sheet 1 of 3	
				Titel: EasyLan[®] Patch Cord DualBoot[®] PushPull Cat.6_A ISO/IEC			
				Drawing Number: ZN-CU191073			
Index	Revision Code	Date	Name				

Technical Data

General Data	
Connection	1:1
Colors	white, black, gray, red, yellow, green, blue, turquoise, violet, orange
Identification possibility	Colorclips (Order No.: CPZHS7BOX)
Cable Characteristics	
Cable type	S/FTP
Number twisting elements	4P+1
Twisting elements	Pair
Configuration	LSHF (LSOH) acc. EN50290-2-27
Braid	AWG26/7
Category	Cat. 6A ISO/IEC
Shielding	shielded
Connector Characteristics	
Housing material	Polycarbonate
Pin plating	Au (Gold)
Environmental Conditions	
Temperature range during operation	-25°C to + 60°C
Temperature range during installation	0°C to + 50°C
Approvals	
RoHS	conform
Standards	
General requests	ISO/IEC 11801 Ed.2.2: 2011-06 DIN EN 50173-1: 2011-09 TIA/EIA 568-C.2 DIN EN IEC 60332-3-24
Plug	DIN EN 60603-7
Transmission Characteristics	
Category (ISO)	6A
Category (TIA)	6A
Remote powering	yes
PoE	IEEE 802.3af
PoE +	IEEE 802.3at
PoE ++	IEEE 802.3bt
UPoE	yes
HDBaseT	yes
Bit rate up to 10 GBit	IEEE 802.3an

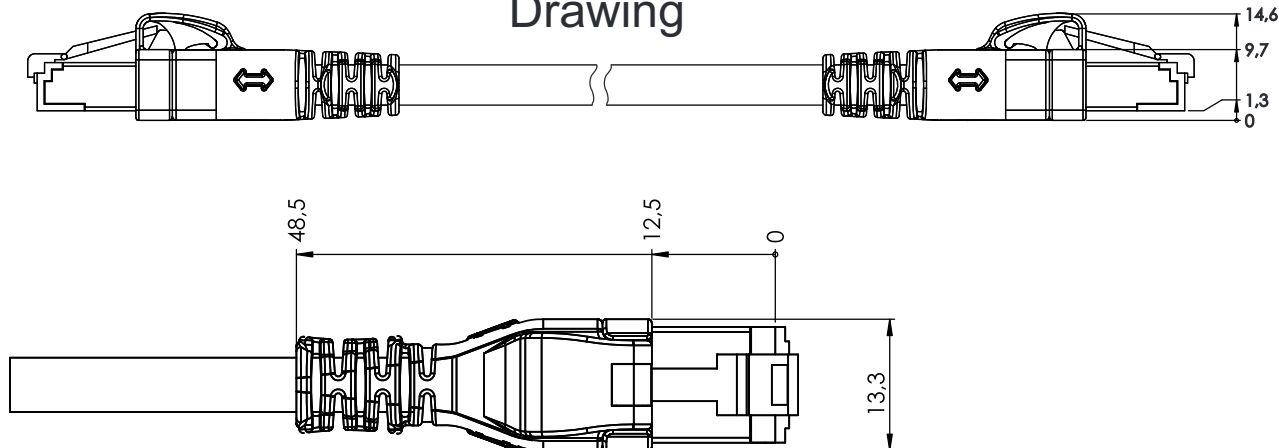
All rights reserved ZVK GmbH D-94244 Teisnach Technologiecampus 2 Germany Phone: +49 9923 804379-0 Fax: +49 9923 804379-50 www.zvk-gmbh.de

e d c b a	Änderung	11.07.2023	MW	 EasyLan [®] ...for a better connectivity
	Änderung	15.11.2021	MW	
	Änderung	22.08.2019	LP	
	POE++ ergänzt Neuerstellung	06.06.2019 21.05.2019	SP LP	
Index	Revision Code	Date	Name	drawn 21.05.2019 LP appr. 21.05.2019 MJ Titel: EasyLan[®] Patch Cord DualBoot[®] PushPull Cat.6_A ISO/IEC Dimensions: mm Original: DIN A4 Sheet 2 of 3
ZN-CU191073				

Technical Data

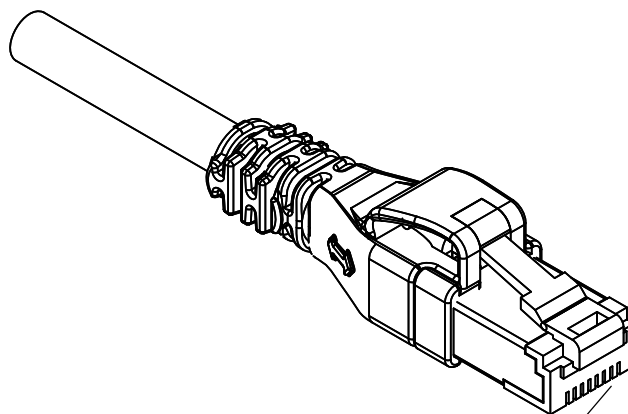
Electrical Characteristics	
Loop resistance	290 Ω/km
Insulation resistance	≥ 5000 MΩ*km
Characteristic impedance	100 ± 3Ω
Propagation delay	10ns / 100m
Packaging Unit	0,1 m - ≤5,0 m = 5 pcs >5,0 m = 1 pc

Drawing




Color	Order No.
white	CPP1OWAWAWxxxx
black	CPP1OSASASxxxx*
gray	CPP1OAAAAAxxxx*
red	CPP1ORARARxxxx*
yellow	CPP1OYAYAYxxxx*
green	CPP1OGAGAGxxxx*
blue	CPP1OBABABxxxx*
turquoise	CPP1OTATATxxxx*
violet	CPP1OVAVAVxxxx*
orange	CPP1OOAOAxxxx*

*xxxx: Length in dm
e.g. 0010 = 1 m



dimension RJ45
according to IEC 60603-7

e d c b a	Änderung Änderung Änderung POE++ ergänzt Neuerstellung	11.07.2023 15.11.2021 22.08.2019 06.06.2019 21.05.2019	MW MW LP SP LP	drawn	21.05.2019	LP	 EasyLan [®] ...for a better connectivity			
				appr.	21.05.2019	MJ				
				Titel:				EasyLan [®] Patch Cord DualBoot [®] PushPull Cat.6 _A ISO/IEC		Dimensions: mm
				Drawing Number:				ZN-CU191073		Original: DIN A4
Index	Revision Code	Date	Name				Sheet 3 of 3			