

Data sheet

MCO IP69k Protective housing for outdoor use, set wall/ housing bushing

Page 1/9

P/N

14040100-E

EAN 4251394617596

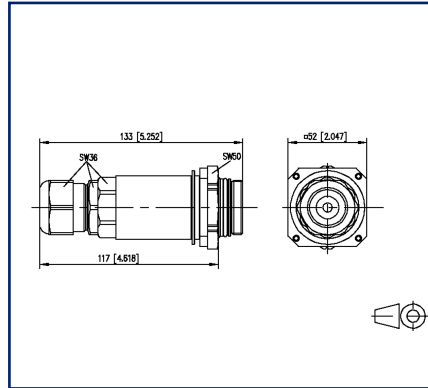
2023/06/19

Version: D

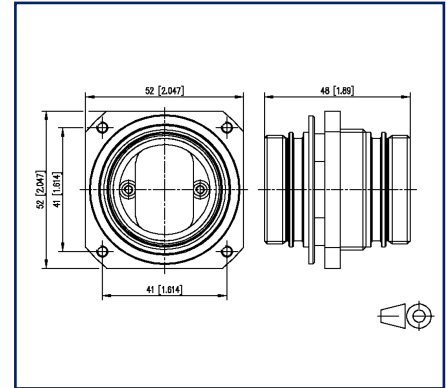
Illustrations



Dimensional drawing



Dimensional drawing



See enlarged drawings at the end of document

Product specification

- incl. M40 locknut (PA) for wall and housing mounting
- universally and flexibly usable
- completely dust- and waterproof
- resistant to ozone, UV-radiation and salt water
- resistant to high-pressure jet cleaning, high temperatures and strong vibrations
- tested according to IP69k, IP67 and IP66
- M32 tubes and flange made of anodised aluminium
- incl. M32 cable glands (PA) with sealing inserts, O-rings and adapter plates for MC module, keystone and fibre optic components, for clean mounting inside the flange
- suitable for cable sheath diameters from 4.5 to 15.0 mm



P | Cabling

Data sheet

Page 2/9

MCO IP69k Protective housing for outdoor use, set wall/ housing bushing

P/N

14040100-E

EAN 4251394617596

2023/06/19

Version: D

Technical Data

General Data

Color	Aluminium anodised/black
Dimensions	
Dimension (L x W x H)	140 mm x 52 mm x 52 mm
Dimension (L x W x H)	5.512 in. x 2.047 in. x 2.047 in.

Connections/interfaces

Cable sheath diameter (min. - max.)	
Cable sheath diameter	4.5 mm - 15 mm

Materials and material properties

Material - Protective housing	Al (Aluminium)
Material - Protective housing finish	anodized
Material - Cable glands seal	TPE
Material - Cable gland	PA (polyamide)
RoHS	yes

Environmental conditions

Temperature (min. - max.)	
Temperature - Operating °C	-40 °C - 85 °C
Temperature - Operating °F	-40 °F - 185 °F
Particulate ingress	IP6X
Liquid ingress/immersion	IPX6 / IPX7 / IPX9K

Classifications

ETIM 7.0	EC000444
ETIM 8.0	EC000444
ETIM 9.0	EC000444

Packing details

Type of packaging	1 pc(s) / box
-------------------	---------------

P | Cabling

Data sheet

Page 3/9

MCO IP69k Protective housing for outdoor use, set wall/ housing bushing

P/N

14040100-E

EAN 4251394617596

2023/06/19

Version: D

Technical Data

Notes

Safety instructions

The rated voltage of the installed components shouldn't increase over 50 VAC or 75 VDC.



P | Cabling

Data sheet

Page 4/9

MCO IP69k Protective housing for outdoor use, set wall/ housing bushing

P/N
14040100-E

EAN 4251394617596

2023/06/19

Version: D

Accessories

P/N	Designation
130863-02-E	Cable connector class F _A
130863-04-E	Cable connector class E _A 180°
130908-I-B1	UAE modul Cat.5e white
130909-I	UAE modul Cat.6 jack white
130910-I	E-DAT modul Cat.6 _A 8(8) jack
130910KI	E-DAT modul Cat.6 _A K jack - Keystone style
130910KZ	E-DAT modul Cat.6 _A K jack - Keystone style (12 pcs)
130910-Z	E-DAT modul Cat.6 _A 8(8) jack, (12 pcs)
1309A0-I	E-DAT modul coupler 8(8) 180° class E _A
130A08-I-B1	UTP modul Cat.5e white
130A10-29-I-B1	UTP modul 8(8) Cat.6 black
130A11-29-I	UAE modul 8(8) Cat.6 _A black
130A11-29KI	UTP modul 8(8) Cat.6 _A Keystone black
130A11-I	UAE modul 8(8) Cat.6 _A white
130A11KI	UTP modul 8(8) Cat.6 _A Keystone white
130B11-25-E	25Gmodul
130B11-25-Z	25Gmodul (12 pcs)
130B11-E	C6 _A modul 180° jack
130B11-Z	C6 _A modul 180° jack (12 pcs)
130B21-25-E	25Gmodul - Keystone
130B21-25-Z	25Gmodul - Keystone style (12 pcs)
130B21-E	C6 _A modul K 180° jack - keystone style
130B21-Z	C6 _A modul K 180° jack - Keystone style (12 pcs)
130E405032-E	C6 _A RJ45 field plug pro
130E405032-K	C6 _A RJ45 field plug pro (100 pcs)
130E405032PE	C5 RJ45 field plug pro 2P PROFINET
130G405032-E	25G RJ45 field plug pro
130H405032-E	40G RJ45 field plug pro
1401100810MI	E-DAT Industry RJ45 field jack insert Cat.6 Class E _A , T568A
1401200810MI	E-DAT Industry RJ45 coupler insert Cat.6 Class E
1401400812-E	E-DAT RJ45 field plug short Cat.6 Class E _A
1401405012-I	E-DAT Industry RJ45 field plug black Cat.6 Class E _A
1401405012PI	E-DAT Industry RJ45 field plug PROFINET

MCO IP69k Protective housing for outdoor use, set wall/ housing bushing

P/N
14040100-E

EAN 4251394617596

2023/06/19

Version: D

Accessories

1401505010-E	E-DAT Industry RJ45 plug Cat.6 Class E _A
1401505012-E	E-DAT Industry RJ45 plug black Cat.6 Class E _A
1401800810MI	E-DAT Industry RJ45 field jack insert Cat.6 Class E _A , T568B
1401900810MI	E-DAT Industry RJ45 field jack insert Cat.6 Class E _A , PROFINET
1402300820MI	OpDAT Industry LC-D MM adapter insert
1402L00820MI	OpDAT Industry LC-D SM adapter insert
15090012-50	OpDAT adapter SC-Simplex OM2 - 50 pieces
1509001A-50	OpDAT adapter SC-Simplex APC OS2 - 50 pieces
1509001A-I	OpDAT adapter SC-Simplex APC OS2
1509001B-50	OpDAT adapter SC-Simplex UPC OS2 - 50 pieces
1509001B-I	OpDAT adapter SC-Simplex UPC OS2
1509001C-50	OpDAT adapter SC-Simplex OM3 - 50 pieces
1509001C-I	OpDAT adapter SC-Simplex OM3
1509001D-50	OpDAT adapter SC-Simplex OM4 - 50 pieces
1509001D-I	OpDAT adapter SC-Simplex OM4
1509001H-I	OpDAT adapter SC-Simplex APC OS2 with shutter
1509001M-50	OpDAT adapter SC-Simplex OM5 - 50 pieces
1509001M-I	OpDAT adapter SC-Simplex OM5
15090058-I	OpDAT adapter E2000-Simplex OS2
15090059-I	OpDAT adapter E2000-Simplex APC OS2
1509005A-I	OpDAT adapter E2000-Duplex OM2 with Snap-In mounting
1509005B-I	OpDAT adapter E2000-Duplex OS2 with Snap-In mounting
1509005C-I	OpDAT adapter E2000-Duplex APC OS2 with Snap-In mounting
1509005F-I	OpDAT adapter E2000-Duplex APC OS2 with flange mounting
1509005G-I	OpDAT adapter E2000-Simplex OM5
1509005H-I	OpDAT adapter E2000-Simplex OM3
1509005MA-I	OpDAT adapter MTP [®] OM3 type A
1509005M-I	OpDAT adapter E2000-Simplex OS2
15090074-50	OpDAT adapter LC-Duplex OS2 - 50 pieces
15090074-I	OpDAT adapter LC-Duplex OS2
15090075-50	OpDAT adapter LC-Duplex OM4 - 50 pieces
15090075-I	OpDAT adapter LC-Duplex OM4
15090076-50	OpDAT adapter LC-Duplex APC OS2 - 50 pieces

MCO IP69k Protective housing for outdoor use, set wall/ housing bushing

P/N
14040100-E

EAN 4251394617596

2023/06/19

Version: D

Accessories

15090076-I	OpDAT adapter LC-Duplex APC OS2
15090077-50	OpDAT adapter LC-Duplex OM3 - 50 pieces
15090077-I	OpDAT adapter LC-Duplex OM3
1509007B-I	OpDAT adapter LC-Duplex OM2
1509007G-I	OpDAT adapter LC-Duplex APC OS2 with inner shutter
1509007MA-I	OpDAT adapter MTP® OM4 type A
1509007MB-I	OpDAT adapter MTP® OM4 type B
1509007M-I	OpDAT adapter LC-Duplex OM5
1509008MA-I	OpDAT adapter MTP® OM5 type A
1509008MB-I	OpDAT adapter MTP® OM5 type B
1509009MA-I	OpDAT adapter MTP® APC OS2 type A
15091071-I	OpDAT modul LC-Duplex OS2
15091072-I	OpDAT modul LC-Duplex OM3
15091075-I	OpDAT modul LC-Duplex OM4
15091076-I	OpDAT modul LC-Duplex APC OS2
1509107B-I	OpDAT modul LC-Duplex OM2
1509107M-I	OpDAT modul LC-Duplex OM5
1509MAEO0010-F	OpDAT FAST™ connector kit SC PC OM3/OM4 10 pieces for buffered fibres
1509MAEO002C-F	OpDAT FAST™ connector kit SC PC OM3/OM4 20 pieces for buffered fibres incl. tool
1509MAEO010C-F	OpDAT FAST™ connector kit SC PC OM3/OM4 100 pieces for buffered fibres incl. tool
1509MAJO0010-F	OpDAT FAST™ connector kit LC PC OM3/OM4 10 pieces for buffered fibres
1509MAJO002C-F	OpDAT FAST™ connector kit LC PC OM3/OM4 20 pieces for buffered fibres incl. tool
1509MAJO010C-F	OpDAT FAST™ connector kit LC PC OM3/OM4 100 pieces for buffered fibres incl. tool
1509MKEO0010-F	OpDAT FAST™ connector kit SC PC OM3/OM4 10 pieces for cables
1509MKEO002C-F	OpDAT FAST™ connector kit SC PC OM3/OM4 20 pieces for cables incl. tool
1509MKEO010C-F	OpDAT FAST™ connector kit SC PC OM3/OM4 100 pieces for cables incl. tool
1509MKJO0010-F	OpDAT FAST™ connector kit LC PC OM3/OM4 10 pieces for cables

MCO IP69k Protective housing for outdoor use, set wall/ housing bushing

P/N
14040100-E

EAN 4251394617596

2023/06/19

Version: D

Accessories

1509MKJO002C-F	OpDAT FAST™ connector kit LC PC OM3/OM4 20 pieces for cables incl. tool
1509MKJO010C-F	OpDAT FAST™ connector kit LC PC OM3/OM4 100 pieces for cables incl. tool
1509QAEA0010-E	OpDAT FAST™ Hybrid connector kit SC APC OS2 10 pieces for buffered fibres
1509QAEA002C-E	OpDAT FAST™ Hybrid connector kit SC APC OS2 20 pieces for buffered fibres incl. tool
1509QAEA010C-E	OpDAT FAST™ Hybrid connector kit SC APC OS2 100 pieces for buffered fibres incl. tool
1509QAE00010-E	OpDAT FAST™ Hybrid connector kit SC UPC OS2 10 pieces for buffered fibres
1509QAE0002C-E	OpDAT FAST™ Hybrid connector kit SC UPC OS2 20 pieces for buffered fibres incl. tool
1509QAE0010C-E	OpDAT FAST™ Hybrid connector kit SC UPC OS2 100 pieces for buffered fibres incl. tool
1509QAJA0010-E	OpDAT FAST™ Hybrid connector kit LC APC OS2 10 pieces for buffered fibres
1509QAJA002C-E	OpDAT FAST™ Hybrid connector kit LC APC OS2 20 pieces for buffered fibres incl. tool
1509QAJA010C-E	OpDAT FAST™ Hybrid connector kit LC APC OS2 100 pieces for buffered fibres incl. tool
1509QAJO0010-E	OpDAT FAST™ Hybrid connector kit LC UPC OS2 10 pieces for buffered fibres
1509QAJO002C-E	OpDAT FAST™ Hybrid connector kit LC UPC OS2 20 pieces for buffered fibres incl. tool
1509QAJO010C-E	OpDAT FAST™ Hybrid connector kit LC UPC OS2 100 pieces for buffered fibres incl. tool
1509QKEA0010-E	OpDAT FAST™ Hybrid connector kit SC APC OS2 10 pieces for cables
1509QKEA002C-E	OpDAT FAST™ Hybrid connector kit SC APC OS2 20 pieces for cables incl. tool
1509QKEA010C-E	OpDAT FAST™ Hybrid connector kit SC APC OS2 100 pieces for cables incl. tool
1509QKEO0010-E	OpDAT FAST™ Hybrid connector kit SC UPC OS2 10 pieces for cables
1509QKEO002C-E	OpDAT FAST™ Hybrid connector kit SC UPC OS2 20 pieces for cables incl. tool
1509QKEO010C-E	OpDAT FAST™ Hybrid connector kit SC UPC OS2 100 pieces for cables incl. tool
1509QKJA0010-E	OpDAT FAST™ Hybrid connector kit LC APC OS2 10 pieces for cables

MCO IP69k Protective housing for outdoor use, set wall/ housing bushing

P/N

14040100-E

EAN 4251394617596

2023/06/19

Version: D

Accessories

1509QKJA002C-E	OpDAT FAST™ Hybrid connector kit LC APC OS2 20 pieces for cables incl. tool
1509QKJA010C-E	OpDAT FAST™ Hybrid connector kit LC APC OS2 100 pieces for cables incl. tool
1509QKJO0010-E	OpDAT FAST™ Hybrid connector kit LC UPC OS2 10 pieces for cables
1509QKJO002C-E	OpDAT FAST™ Hybrid connector kit LC UPC OS2 20 pieces for cables incl. tool
1509QKJO010C-E	OpDAT FAST™ Hybrid connector kit LC UPC OS2 100 pieces for cables incl. tool
895154-I	Split seal for patch cords
MMF881A115	M12 Jack D-coded IP67, field assembly
MMF881A115-0001	M12 Jack D-coded IP67, field assembly with flange
MMF881A315	M12 Jack X-coded IP67, field assembly
MMF881A315-0001	M12 Jack X-coded IP67, field assembly with flange
MNF881A115	M12 plug, D-coded, IP67 Cat. 5, field assembly, straight
MNF881A315-0001	M12 plug, X-coded, IP67 Cat. 6 _A , field assembly, straight



P | Cabling

Data sheet

Page 9/9

MCO IP69k Protective housing for outdoor use, set wall/ housing bushing

P/N

14040100-E

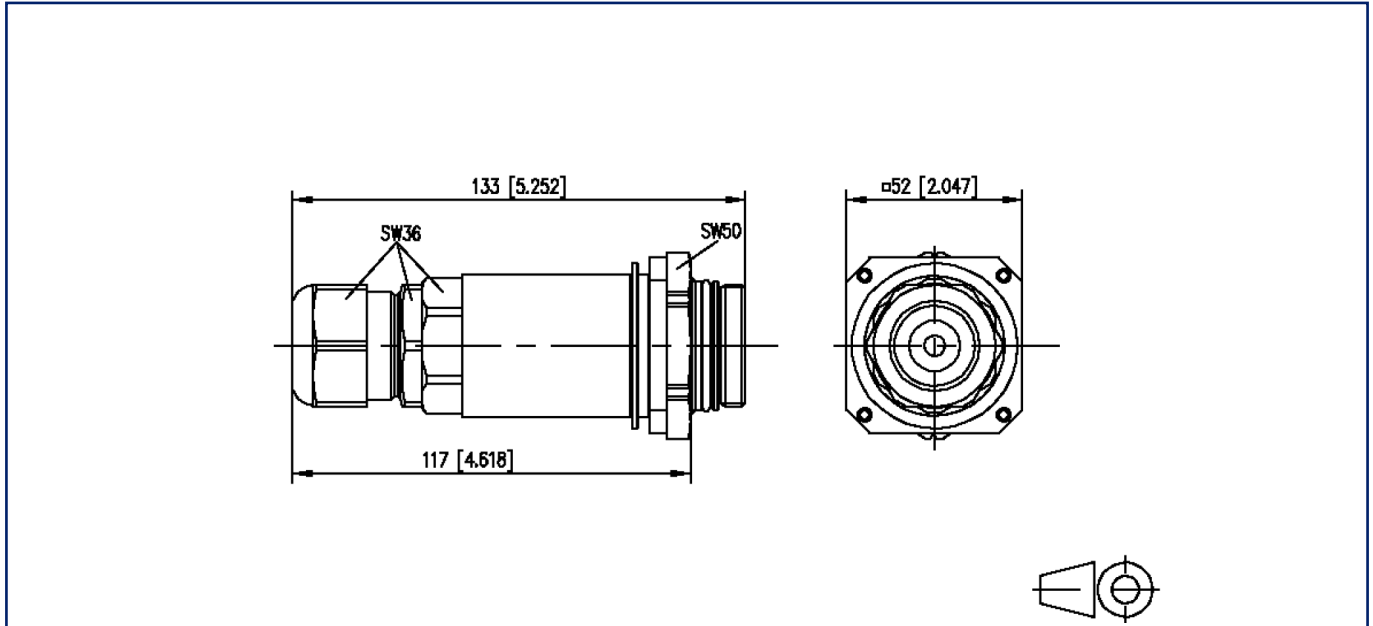
EAN 4251394617596

2023/06/19

Version: D

Illustrations

Dimensional drawing



Dimensional drawing

