

BulletCamera

MOBOTIX MOVE BC-4-IR

Technical Specifications

- ➔ Zoom Lens/Motorized Lens with Auto Focus Function
- ➔ Wide Dynamic Range (WDR) 120db
- ➔ Dual IRIS Support (Auto-IRIS & P-IRIS)
- ➔ Remote Zoom/ Focus /IRIS Control on AF Lens
- ➔ Triple Power Support (PoE/DC12V/AC24V)
- ➔ IR LED built in
- ➔ IP66 and IK10
- ➔ Extended temperature range up to 65°C



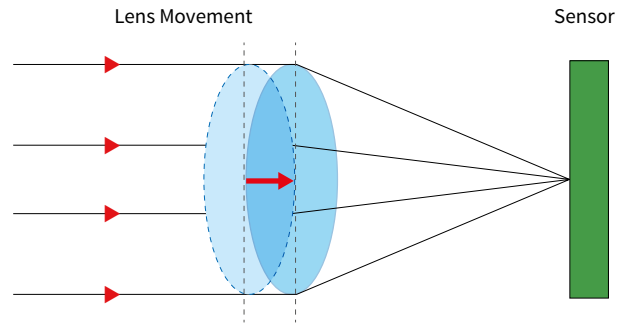
Product Features:

- Multiple Progressive Scan CMOS Sensor Support with 4MP Resolution
- Multi Exposure WDR
- Multi Codec Support (H.264/MJPEG)
- Low Latency Streaming
- Triple Stream Support
- True Day/Night Function (ICR)
- IR LED (Working Distance up to 30 m)
- 3D Motion Compensated Noise Reduction (MCTF)
- Smart Event Function: External Output/ Motion Detection/ Network Failure Detection/
- Tampering Alarm/ Periodical Event/ Manual Trigger/ Audio Detection
- Text Overlay and Privacy Masks
- Micro SD/ SDHC/ SDXC Card Support
- ONVIF Profile S/ G Support
- Smart Low Bitrate Control
- Weatherproof (IP66)
- IK10

Technical Specifications: BulletCamera BC-4-IR

Auto Focus

The MOBOTIX MOVE BulletCamera BC-4-IR can perform fast, reliable auto focus and can adapt to different indoor and outdoor scenes through its unique algorithm. As auto focus can be done by camera itself, no on-site focus adjustment is required.



4MP WDR

The MOBOTIX MOVE BulletCamera BC-4-IR utilizes state of the art image processing technology, providing 4MP resolution high quality video. Its WDR capability captures more image detail under challenging light conditions, such as entrance area, warehouse loading bay or parking lot.



MOBOTIX MOVE BulletCamera BC-4-IR – Specification:

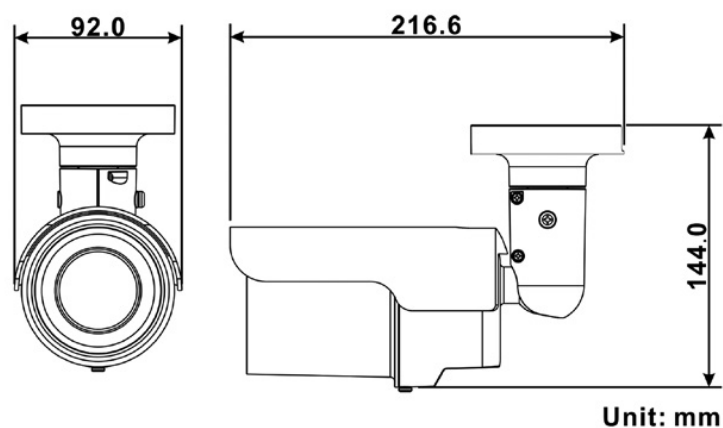
MOBOTIX MOVE BulletCamera BC-4-IR		
MOBOTIX Order Number	Mx-BC1A-4-IR	
Image Sensor	4MP 1/3" Progressive CMOS	
Effective Pixels	H x V = 2688 x 1520 (4MP)	
Pixel Size	2.0 μm	
Frame Rate (Maximum)	H.264: WDR 4MP@30fps + d1@30fps MJPEG: 1080p@30fps	
Lens		
Minimum Illumination	Color B/W	0.1 lux 0.01 lux
Lens	Zoom Lens Focal Length Horizontal (Field of View) Vertical (Field of View)	Focus, Zoom, P-Iris, Auto-Iris, F1.7 3 to 9 mm 103° (Wide), 35° (Tele) 53° (Wide), 23° (Tele)



Camera	
Day and Night	Automatically removable IR-cut Filter
Shutter Time	1 to 1/10K sec.
WDR	Yes
EIS	No
Zoom	Optical Zoom, Digital Zoom ready by Lens Type
Image Settings	Color, Brightness, Sharpness, Contrast White Balance, Exposure Control 2DNR, 3DNR, NR by Motion Masking, Text Overlay
Corridor Mode	90°, 180°, 270° Rotation
Video Codec	
Compression	H.264/MJPEG
Streaming	Up to 3 individually configurable Streams in H.264/MJPEG Configurable Resolution/Frame Rate/Bandwidth LBR/VBR/CBR in H.264
Audio Codec	
Compression	G.711/G.726/AAC/LPCM
Streaming	2-Way
Audio Input	Line in
Audio Output	Line out
Network	
Interface	10/100 Mbps Ethernet
Security	User Authentication/HTTPS/IP Filter/IEEE 802.1x
Supported Protocols	ARP, PPPoE, IPv4/v6, ICMP, IGMP, QoS, TCP, UDP, DHCP, UPnP, SNMP, SMTP, RTP, RTSP, HTTP, HTTPS, FTP, NTP, DDNS
ONVIF	Profile S/G conformant
System Integration	
Analytics	Motion Detection/Tampering/Audio Detection
Event Triggers	External Input, Analytics, Network Failure Detection, Periodical Event, Manual Trigger
Event Actions	External Output Activation Video and Audio Recording to Edge Storage File Upload: FTP, Network Share and Email Notification: HTTP, FTP, Email

Technical Specifications: BulletCamera BC-4-IR

General		
Casing	Metal and Plastic	
Power	PoE IEEE802.3af or DC 12 V, 2.12 A or AC 24 V; max 13.68 W	
Connectors	RJ45	
	Alarm in x4, Alarm out x1, Terminal Block	
	DC12V Terminal Block	
	AC24V Terminal Block	
	Audio in 3.5 mm Jack Audio out 3.5 mm Jack	
IR Illumination	Illumination Distance: up to 30 m	
Storage	Support for microSD/microSDHC/microSDXC card Support for Recording to NAS	
Protection Class	IP66/ IK10	
Operating Conditions	-30°C to 65°C (-22°F to 131°F) without Heater -55°C to 65°C (-67°F to 131°F) with Heater 10 % to 90 %, no Condensation	
Storage Conditions	-20°C to 70°C (-4°F to 158°F)	
Approvals	EMC	CE / FCC
	Safety Environment	LVD IP66
Dimensions	Ø92 x 220 mm	
Weight	780 g	



EN_05/18

MOBOTIX AG • Kaiserstrasse • D-67722 Langmeil • Tel.: +49 6302 9816-0 • Fax: +49 6302 9816-190 • sales@mobotix.com • www.mobotix.com
MOBOTIX, the MX Logo, MxControlCenter, MxEasy, MxPEG and MxActivitySensor are trademarks of MOBOTIX AG registered in the European Union, the U.S.A. and in other countries • For a complete product overview and a current price list, see the MOBOTIX website • Sold only to distributors or commercial clients • Technical specifications subject to change without notice • MOBOTIX do not assume any liability for technical or editorial errors or omissions contained herein • All rights reserved • © MOBOTIX AG 2018

