

## Data sheet

### Keystone surface mount housing 12 port pure white, unequipped

P/N

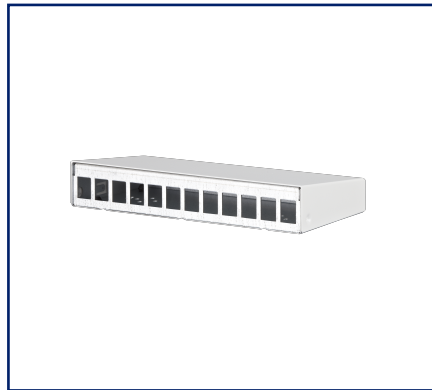
130861-1202KE

EAN 4251122184239

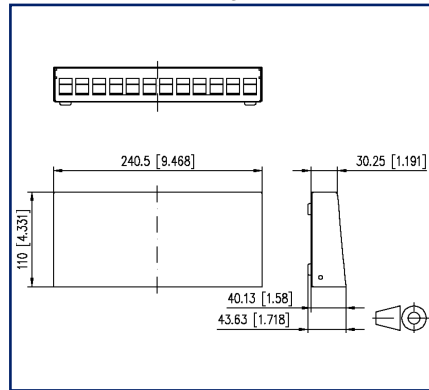
2023/04/14

Version: I

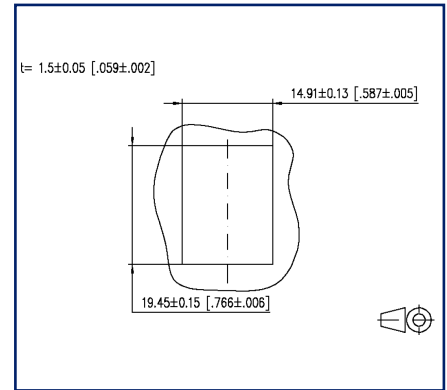
## Illustrations



Dimensional drawing



Cut-out



See enlarged drawings at the end of document

## Product specification

- surface-mounted, unequipped module housing for individual modules, Keystone design
- solid steel sheet housing
- upper part of the housing powder-coated in RAL 9010
- upper part of the housing can be put on and removed easily because no screws are used for fastening
- equipotential bonding possible by means of contact pin
- additional strain relief on lower part of housing using cable ties
- suitable for direct wall mounting, as desktop device and for DIN-rail mounting using the DIN rail adapter mini FS
- bottom of the 3 port and 4 port housing can be removed. Additional fastening by means of 60 mm fastening clearance.
- optionally available and usable in all housings except 2 port: FO extension set for module and keystone surface mount housing: 130861-MSK-E
- optionally available 2x12 housing: Strain relief for patch cords 130861-24ZE-E
- variants: 2, 3, 4, 6, 8, 12, 16 and 2x12 ports

# P | Cabling

Data sheet

Page 2/5

## Keystone surface mount housing 12 port pure white, unequipped

P/N

130861-1202KE

EAN 4251122184239

2023/04/14

Version: I

### Technical Data

#### General Data

Fields of application	office areas data center
Mechanical measurement according to MICE	M1
Ingress measurement according to MICE	I1
Climatic measurement according to MICE	C1
Electromagnetic measurement according to MICE	E3
Design	patch panel
Color	Pure white RAL 9010
Dimensions	
Dimension (L x W x H)	110 mm x 240.5 mm x 43.63 mm
Dimension (L x W x H)	4.331 in. x 9.469 in. x 1.718 in.
Modularity	yes

#### Connections/interfaces

Number of ports interface 1	12
Number of equipped ports interface 1	0
Number of ports interface 2	12
Number of ports interface 2 equipped	0

#### Mechanical data

Cut-out	Keystone
strain relief	cable tie

#### Materials and material properties

Material - Housing	aluminium-zinc sheet
Material - Front cover	aluminium-zinc sheet
Material - Cover	steel
Halogen free	yes
RoHS	compliant

#### Environmental conditions

Temperature (min. - max.)	
Temperature - Storage °C	-40 °C - 70 °C
Temperature - Storage °F	-40 °F - 158 °F

# P | Cabling

Data sheet

Page 3/5

## Keystone surface mount housing 12 port pure white, unequipped

P/N

130861-1202KE

EAN 4251122184239

2023/04/14

Version: I

### Technical Data

#### Environmental conditions

Temperature (min. - max.)

Temperature - Operating °C -40 °C - 70 °C

Temperature - Operating °F -40 °F - 158 °F

#### Classifications

ETIM 6.0 EC001128

ETIM 7.0 EC002006

ETIM 8.0 EC002006

ETIM 9.0 EC002006

#### Packing details

Type of packaging 1 pc(s) / box

Packaging unit - Weight (gram) 726 g

Packaging unit - Weight (pound) 1.6 lb

Packaging dimension 266 mm x 140 mm x 56 mm

Packaging dimension 10.472 in. x 5.512 in. x 2.205 in.

## Keystone surface mount housing 12 port pure white, unequipped

P/N

130861-1202KE

EAN 4251122184239

2023/04/14

Version: I

### Accessories

P/N	Designation
130861-MSK-E	FO extension set for module and keystone surface mount housing
130898-0003KI	Keystone BLIND module light gray
130898-0029KI	Keystone BLIND module black
130898-0103KI	COAX modul F jack / F jack, Keystone
130898-0203KI	COAX modul IEC jack / F jack, Keystone
130898-0303KI	COAX modul IEC plug / F jack, Keystone
1308990111-I	DIN rail adapter mini
130910KI	E-DAT modul Cat.6 <sub>A</sub> K jack - Keystone style
130910KI-79	E-DAT modul Cat.6 <sub>A</sub> K jack - Keystone style
130910KZ	E-DAT modul Cat.6 <sub>A</sub> K jack - Keystone style (12 pcs)
1309A0-I	E-DAT modul coupler 8(8) 180° class E <sub>A</sub>
130A08-I-B1	UTP modul Cat.5e white
130A10-29-I-B1	UTP modul 8(8) Cat.6 black
130A10-I-B1	UTP modul 8(8) Cat.6 white
130A11-29KI	UTP modul 8(8) Cat.6 <sub>A</sub> Keystone black
130A11KI	UTP modul 8(8) Cat.6 <sub>A</sub> Keystone white
130B21-25-E	25Gmodul - Keystone
130B21-25-Z	25Gmodul - Keystone style (12 pcs)
130B21-E	C6 <sub>A</sub> modul K 180° jack - keystone style
130B21-Z	C6 <sub>A</sub> modul K 180° jack - Keystone style (12 pcs)
15091071-I	OpDAT modul LC-Duplex OS2
15091072-I	OpDAT modul LC-Duplex OM3
15091075-I	OpDAT modul LC-Duplex OM4
15091076-I	OpDAT modul LC-Duplex APC OS2
1509107B-I	OpDAT modul LC-Duplex OM2

# P | Cabling

Data sheet

Page 5/5

## Keystone surface mount housing 12 port pure white, unequipped

P/N

130861-1202KE

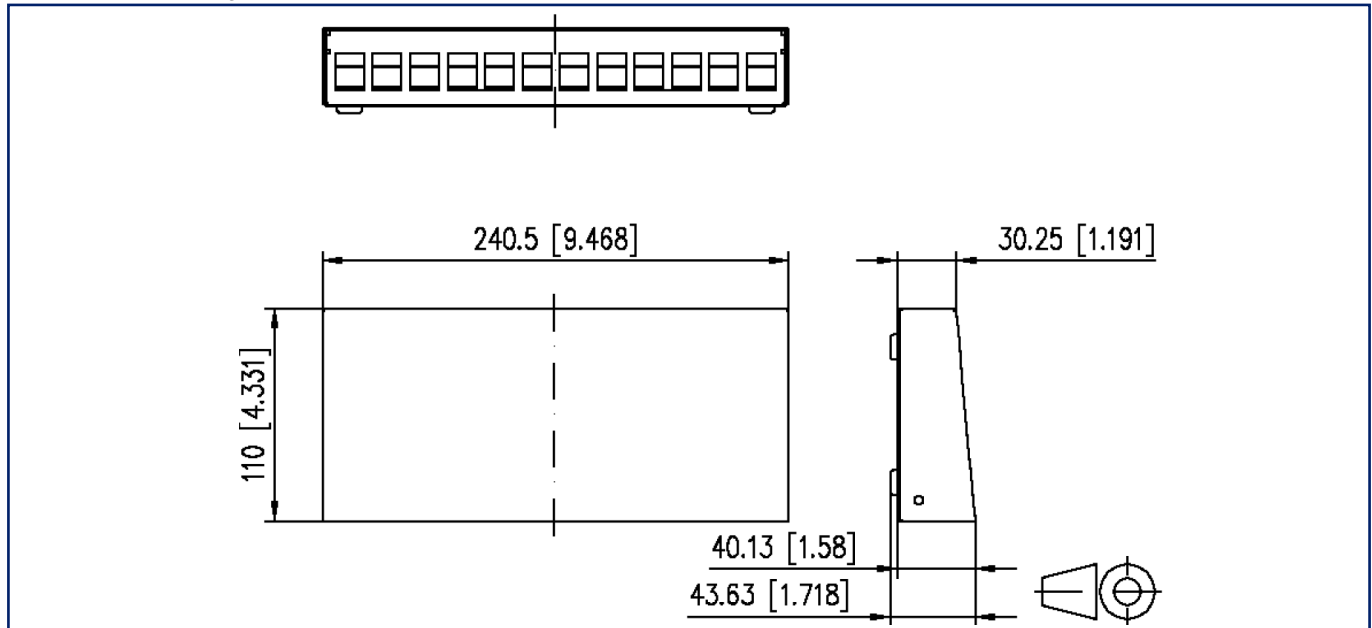
EAN 4251122184239

2023/04/14

Version: I

### Illustrations

Dimensional drawing



Cut-out

