

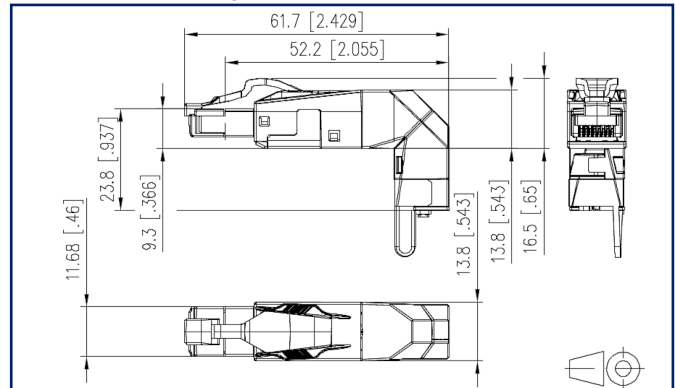
Data sheet

C6_A RJ45 field plug pro 360

Illustrations



Dimensional drawing



See enlarged drawings at the end of document

Product specification

- Cat.6_A class E_A RJ45 plug to be assembled in the field
- fully shielded and multi-port capable
- variable (360°) cable feed, freely selectable
- easy assembly - connection without special tools
- wire connection: stranded wire AWG 27/7 to 22/7, wire diameter from 0.46 to 0.76 mm
- wire connection: solid wire AWG 26/1 to 22/1, wire diameter from 0.409 to 0.64 mm
- transmission characteristics Cat.6_A according to ISO/IEC 11801
- compliance with class E_A according to ISO/IEC 11801, DIN EN 50173-1
- suitable for 10 GBit Ethernet (IEEE 802.3an), Remote Powering (PoE, PoE plus, UPoE and 4PPoE) and HDBaseT
- degree of protection IP20
- for cable jacket from 5.5 to 10.5 mm
- zinc die-cast housing for industrial use
- strain relief by latching clip directly on the stuffer cap
- protected locking hook
- reconnectable



P | Cabling

Data sheet

Page 2/6

C6_A RJ45 field plug pro 360

P/N

130E405042-E

EAN 4250184175964

2023/04/05

Version: AA

Technical Data

General Data

| | |
|---|-----------------------------------|
| Fields of application | structured building cabling |
| Mechanical measurement according to MICE | M1 |
| Ingress measurement according to MICE | I1 |
| Climatic measurement according to MICE | C1 |
| Electromagnetic measurement according to MICE | E2 |
| Design | plug |
| Shielding | shielded |
| Transmission technology | Copper |
| Color | black |
| Dimensions | |
| Dimension (L x W x H) | 61.7 mm x 13.8 mm x 27.5 mm |
| Dimension (L x W x H) | 2.429 in. x 0.543 in. x 1.083 in. |
| Field assembly ability | yes |
| Multi-port capability | yes |
| Labeling option | on housing |

Transmission characteristics

| | |
|---------------------------------|----------------|
| Category (ISO) | 6 _A |
| Class (ISO/IEC) | E _A |
| Category (TIA) | 6A |
| Remote Powering | yes |
| PoE | IEEE 802.3af |
| PoE plus | IEEE 802.3at |
| UPoE | yes |
| 4PPoE | IEEE 802.3bt |
| HDBaseT | yes |
| Transmission rate up to 10 GBit | IEEE 802.3an |



P | Cabling

Data sheet

C6_A RJ45 field plug pro 360

Page 3/6

P/N

130E405042-E

EAN 4250184175964

2023/04/05

Version: AA

Technical Data

| Connections/interfaces | |
|---|---|
| Connector technology interface 1 | IDC-connection |
| Connector technology interface 2 | RJ45 plug |
| Number of ports interface 2 | 1 |
| Number of ports interface 2 equipped | 1 |
| Number of positions/contacts interface 1 | 8 |
| Number of positions/contacts interface 2 | 8P/8C |
| Termination data, solid wire (min. - max.) | |
| Conductor cross section, solid wire | AWG 26/1 - AWG 22/1 |
| Conductor cross section, solid wire | 0.128 mm ² - 0.324 mm ² |
| Conductor diameter, solid wire (bare copper) | 0.409 mm - 0.643 mm |
| Conductor diameter, solid wire (bare copper) | 0.016 in. - 0.025 in. |
| Termination data, stranded wire (min. - max.) | |
| Conductor cross section, stranded wire | AWG 27/7 - AWG 22/7 |
| Conductor cross section, stranded wire | 0.111 mm ² - 0.355 mm ² |
| Conductor diameter, stranded wire (bare copper) | 0.457 mm - 0.762 mm |
| Conductor diameter, stranded wire (bare copper) | 0.018 in. - 0.03 in. |
| Aderdurchmesser (min.-max.) | |
| Core diameter (conductor with insulation) | 1.6 mm |
| Core diameter (conductor with insulation) | 0.063 in. |
| Cable sheath diameter (min. - max.) | |
| Cable sheath diameter | 5.5 mm - 10.5 mm |
| Cable sheath diameter | 0.217 in. - 0.413 in. |
| Cable access/outlet | variable, selectable (360°) |
| Reconnectibility | yes |
| Shield connection | flexible contact spring |

Electrical characteristics

| | |
|---|----------------|
| Current carrying capacity | max. 1 A |
| Rated voltage | max. 50 V |
| Contact resistance | max. 20 mOhm |
| Insulation resistance | min. 500 MOhm |
| Dielectric strength conductor-conductor (secondary) | min. 1000 V DC |
| Dielectric strength conductor-shield | 1500 V DC |

P | Cabling

Data sheet

Page 4/6

C6_A RJ45 field plug pro 360

P/N

130E405042-E

EAN 4250184175964

2023/04/05

Version: AA

Technical Data

Mechanical data

| | |
|--|------------------|
| Mounting method | snap-in function |
| Insertion and withdrawal force | max. 20 N |
| Life - Number of mating cycles | min. 750 |
| Position/mounting of latch standard installation position | top |
| strain relief | latching clip |

Materials and material properties

| | |
|---------------------------|-----------------------|
| Material - Housing | GD-Zn (zinc die-cast) |
| Material - Contact | CuSn (tin bronze) |
| Material - Contact finish | Ni + Au (nickel-gold) |
| Material - Latch | Plastics |
| Halogen free | yes |
| Material - Finish | Ni (nickel) |
| RoHS | compliant |

Environmental conditions

| | |
|----------------------------|-----------------|
| Temperature (min. - max.) | |
| Temperature - Storage °C | -40 °C - 70 °C |
| Temperature - Storage °F | -40 °F - 158 °F |
| Temperature - Operating °C | -40 °C - 70 °C |
| Temperature - Operating °F | -40 °F - 158 °F |
| Particulate ingress | IP2X |
| Liquid ingress/immersion | IPX0 |

Approvals

UL listed (file no.)



DUXR.E178484

P | Cabling

Data sheet

Page 5/6

C6_A RJ45 field plug pro 360

P/N

130E405042-E

EAN 4250184175964

2023/04/05

Version: AA

Technical Data

| Standards/Regulations | |
|---|--|
| Generic cabling systems | |
| General requirements | ANSI/TIA-568-C |
| Office buildings | ISO/IEC 11801 Ed.2.2: 2011-06 DIN EN 50173-2 ANSI/TIA-568-C |
| Industrial area | ISO/IEC 24702 DIN EN 50173-3 ANSI/TIA-1005 |
| Living units | ISO/IEC 15018 DIN EN 50173-4 ANSI/TIA-570-B |
| Application-specific communications cabling systems | |
| Profinet | yes |
| Industrial communication networks Installation in industrial premises | IEC 61918 |
| Connectors for electronic equipment | |
| Free and fixed connectors | IEC 60603-7-51 |
| Connectors for electronic equipment - Tests and measurements | |
| Test standard for connectors (engaging and separating connectors under electrical load) | DIN-EN 60512-99-001, DIN-EN 60512-99-002 |
| Interference proof | |
| Immunity for industrial environments | DIN EN 61000-6-2:2006-03 |
| Emission proof | |
| Electromagnetic emission for residential, commercial and light-industrial environments | DIN EN 61000-6-3:2011-09 |
| Classifications | |
| ETIM 5.0 | EC001121 |
| ETIM 6.0 | EC001121 |
| ETIM 7.0 | EC001121 |
| ETIM 8.0 | EC001121 |
| ETIM 9.0 | EC001121 |
| Packing details | |
| Type of packaging | 10 pc(s) / box |
| Packaging unit - Weight (gram) | 413 g |
| Packaging unit - Weight (pound) | 0.91 lb |
| Packaging dimension | 258 mm x 164 mm x 51 mm |
| Packaging dimension | 10.157 in. x 6.457 in. x 2.008 in. |

P | Cabling

Data sheet

C6_A RJ45 field plug pro 360

Page 6/6

P/N

130E405042-E

EAN 4250184175964

2023/04/05

Version: AA

Illustrations

Dimensional drawing

