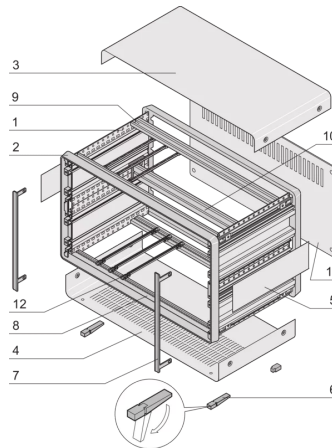
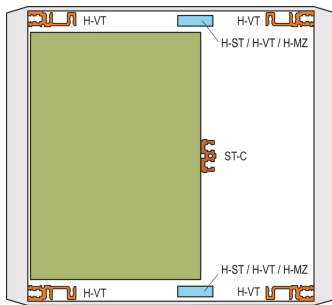
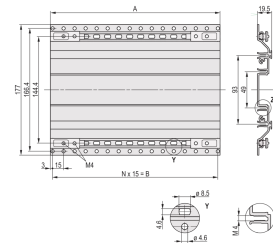
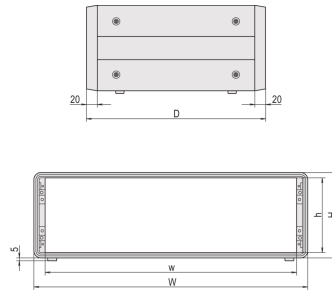


14575-477 COMPACPRO COMPLETE DESKTOP CASE, UNSHIELDED, 6 U, 84 HP, 451 MM



KEY FEATURES

Desktop case pre-configured in accordance with IEC 60297-3-101 for 19" components

Aluminum construction ensures robust solution

Side panel with integrated handle function

For backplane mounting with insulation strips

Ventilation slots in rear panel

Ventilation slots in base plate

IP 20 in accordance with IEC 60529

Front and rear identical, depth-symmetrical construction

GND / earthing connections in accordance with (please see catalog page 5.76)

Conforms with DIN EN 62368-1

PRODUCT ATTRIBUTES

Product Type: Case

Product Family: CompacPRO

Type: Case for 19" Components

Rack Height: 6 U

Height: 280.5 mm

Usable Height: 262.9 mm

Rack Width: 84 HP

Width: 471 mm

Usable Width: 432 mm

Depth: 511 mm

EMC Shielding: No

Static Load: 30 kg

Protection Rating: IP20

Front Frame Construction: Single Piece

Cooling Option: No

Complies With: IEC 60297-3-103

ADDITIONAL PRODUCT DETAILS

The pre-configured nVent SCHROFF CompacPRO case provides electronics protection for 19" assemblies such as plug-in units and euroboards. The aluminum die cast frame and sidepanels guarantee a robust solution. In addition an extensive accessory range is available.

CERTIFICATIONS

The logo features the word "ROHS" in a large, bold, black font with a green checkmark above the letter "O". Below "ROHS", the word "COMPLIANT" is written in a smaller, green, sans-serif font.

The logo consists of the letters "DIN" in a large, bold, blue, sans-serif font, enclosed within a blue rectangular border.

North America

All locations

+1.763.422.2661

Chat with us:

schroff.nvent.com

Europe

Straubenhardt, Germany

+49.7082.794.0

Betschdorf, France

+33.3.88.90.64.90

Warsaw, Poland

+48.22.209.98.35

Assago, Italy

+39.02.932.7141

Chat with us:

schroff.nvent.com

Asia

Shanghai, China

+86.21.2412.6943

Qingdao, China

+86.532.8771.6101

Singapore

+65.6768.5800

Shin-Yokohama, Japan

+81.45.476.0271

Chat with us:

schroff.nvent.com

Middle East & India

Dubai, United Arab Emirates

+971.4.378.1700

Bangalore, India

+91.80.6715.2001

Istanbul, Turkey

+90.216.250.7374

Chat with us:

schroff.nvent.com



Our powerful portfolio of brands:
nVent.com **CADDY ERICO HOFFMAN RAYCHEM SCHROFF TRACER**

© 2023 nVent. All nVent marks and logos are owned or licensed by nVent Services GmbH or its affiliates. All other trademarks are the property of their respective owners.

nVent reserves the right to change specifications without notice.