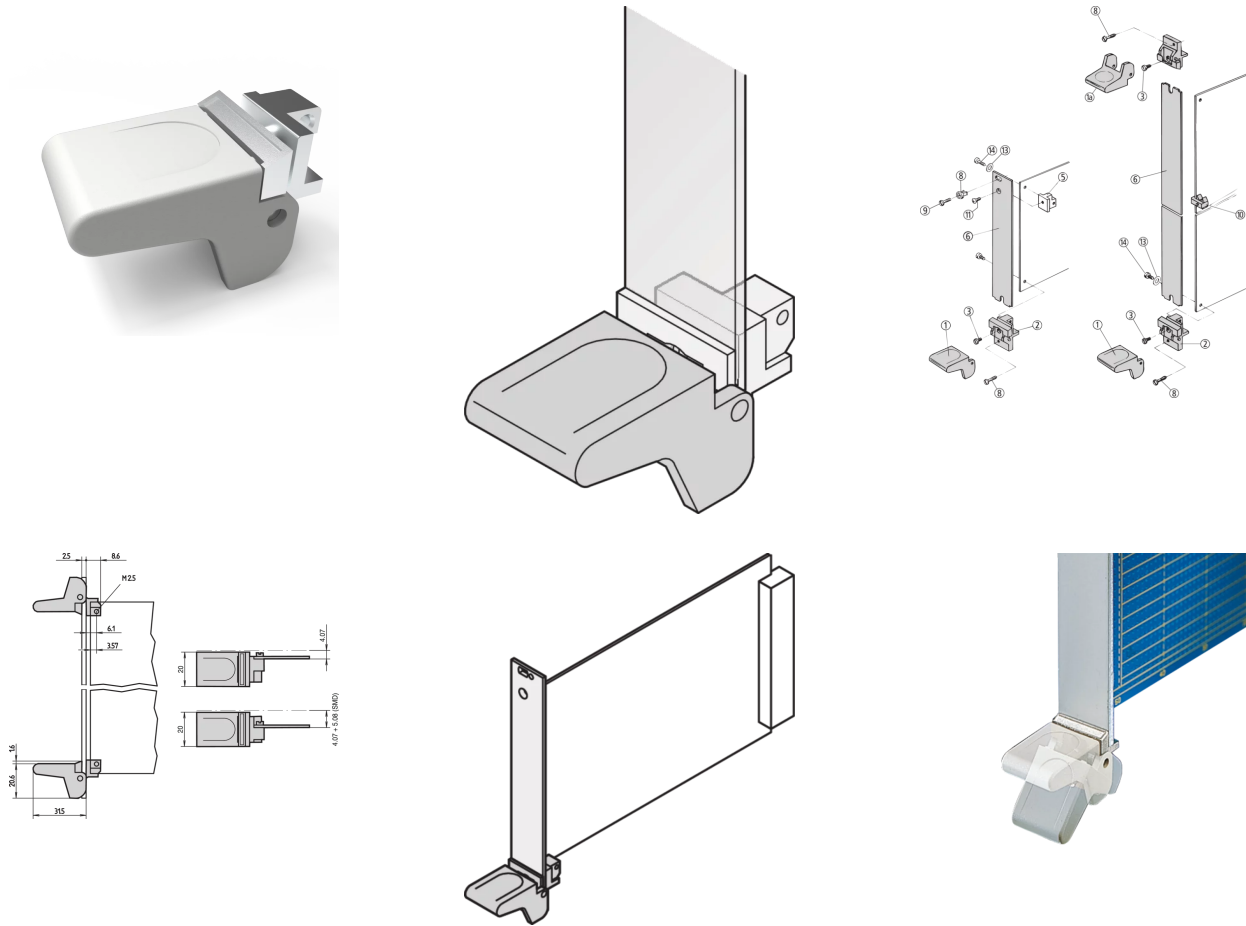


20817-325 EXTRACTOR HANDLE KEY FORM 1, BOTTOM, GREY



KEY FEATURES

Handle UL 94 V-0, bearing Zn die-cast

At 6 U, the printed board location can be offset 1 HP to the right by swapping the upper and lower handles. This creates space for SMD components on the left hand side

Please order the collar screws separately.

PRODUCT ATTRIBUTES

Product Type: Handle

Type: Extractor

Works With: Front Panels

Handle Type: Extractor Form 1, Bottom

Material: Polycarbonate

Color: Grey

Flammability Rating: UL® 94V-0

Package Quantity: 10

ADDITIONAL PRODUCT DETAILS

Extractor handle key form 1, can be used to extract PCBs. The handles are available in black or grey and top and bottom versions.

Please take into consideration that deliveries may be carried out in the stated SPQs (SPQ, e.g. 5 pieces, 10 pieces, 50 pieces, etc.). Differing order quantities (e.g. 2 pieces) may be changed to the next possible delivery quantity = Standard Pack Quantity.

CERTIFICATIONS



North America

All locations
+1.763.422.2661
Chat with us:
schroff.nvent.com

Europe

Straubenhardt, Germany
+49.7082.794.0
Betschdorf, France
+33.3.88.90.64.90
Warsaw, Poland
+48.22.209.98.35
Assago, Italy
+39.02.932.7141
Chat with us:
schroff.nvent.com

Asia

Shanghai, China
+86.21.2412.6943
Qingdao, China
+86.532.8771.6101
Singapore
+65.6768.5800
Shin-Yokohama, Japan
+81.45.476.0271
Chat with us:
schroff.nvent.com

Middle East & India

Dubai, United Arab Emirates
+971.4.378.1700
Bangalore, India
+91.80.6715.2001
Istanbul, Turkey
+90.216.250.7374
Chat with us:
schroff.nvent.com



Our powerful portfolio of brands:
nVent.com **CADDY ERICO HOFFMAN RAYCHEM SCHROFF TRACER**

© 2023 nVent. All nVent marks and logos are owned or licensed by nVent Services GmbH or its affiliates. All other trademarks are the property of their respective owners.

nVent reserves the right to change specifications without notice.