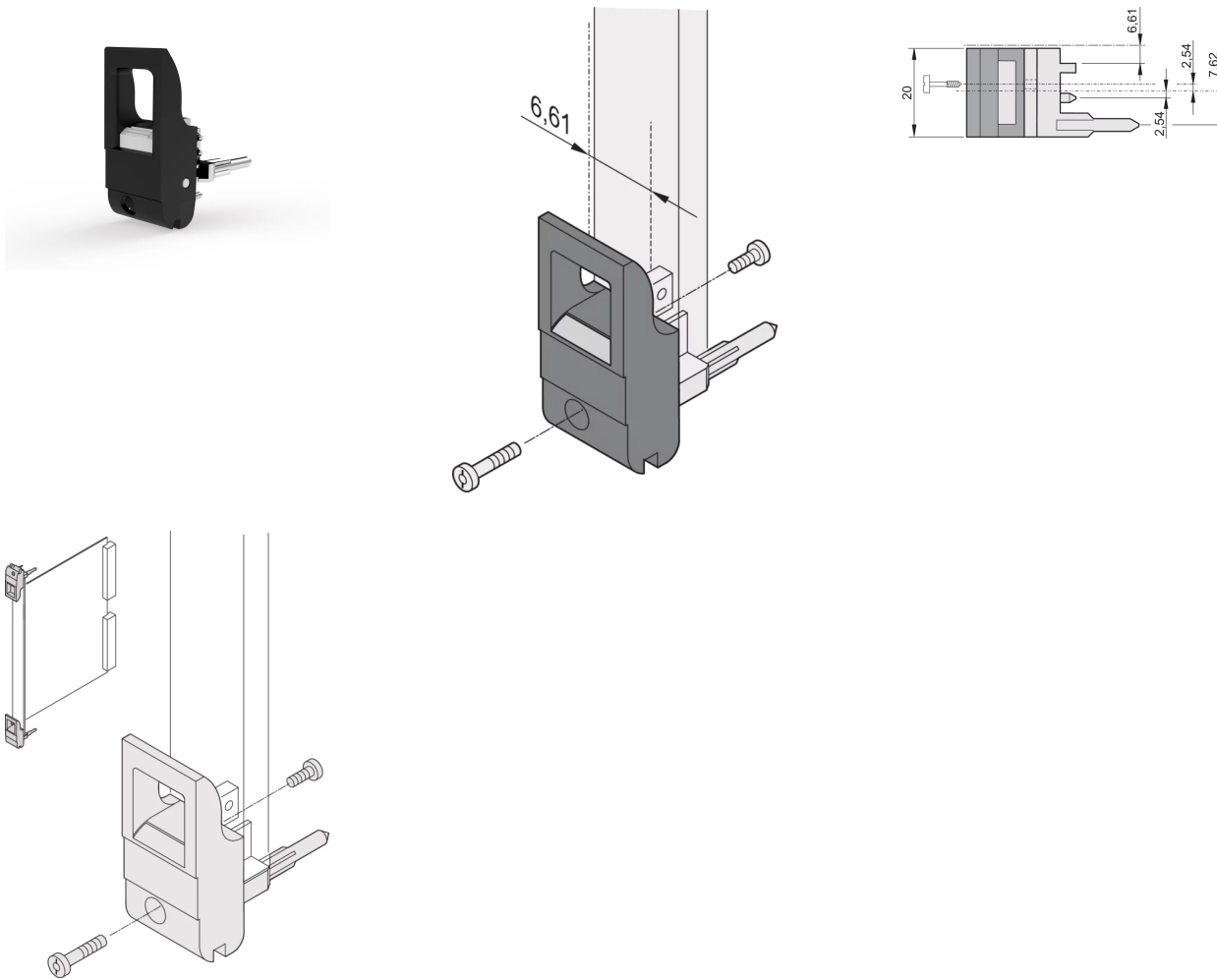


20817-706 INSERTER/EXTRACTOR HANDLE TYPE IET, BLACK LEVER, GREY
BUTTON, BOTTOM; 10 PIECES



KEY FEATURES

Suitable for insertion and extraction forces up to 700 N (per pair)

In accordance with IEEE 1101.10 and IEC 60297-3-102

A microswitch can be mounted

0.1" offset is used for PSUs with SMD Plus

PRODUCT ATTRIBUTES

Product Type: Handle

Type: Inserter/Extractor, 0.1" Offset

Works With: Front Panels

Handle Type: IET

Width: 19.8 mm

Material: Polycarbonate

Color: Jet Black

Flammability Rating: UL® 94V-0

Complies With: EN 45545-2

Package Quantity: 10

Color Code: RAL 9005

Depth: 39.15 mm

Height: 44.65 mm

ADDITIONAL PRODUCT DETAILS

The inserter/extractor handle, type IET in accordance with IEEE 1101.10. 0,1" offset. Two of these handles can overcome a single lever force of 700 N (per pair).

Please order Coding pegs and Microswitch separately.

CERTIFICATIONS



North America

All locations

+1.763.422.2661

Chat with us:

schroff.nvent.com

Europe

Straubenhardt, Germany

+49.7082.794.0

Betschdorf, France

+33.3.88.90.64.90

Warsaw, Poland

+48.22.209.98.35

Assago, Italy

+39.02.932.7141

Chat with us:

schroff.nvent.com

Asia

Shanghai, China

+86.21.2412.6943

Qingdao, China

+86.532.8771.6101

Singapore

+65.6768.5800

Shin-Yokohama, Japan

+81.45.476.0271

Chat with us:

schroff.nvent.com

Middle East & India

Dubai, United Arab Emirates

+971.4.378.1700

Bangalore, India

+91.80.6715.2001

Istanbul, Turkey

+90.216.250.7374

Chat with us:

schroff.nvent.com



Our powerful portfolio of brands:
nVent.com **CADDY ERICO HOFFMAN RAYCHEM SCHROFF TRACER**

© 2023 nVent. All nVent marks and logos are owned or licensed by nVent Services GmbH or its affiliates. All other trademarks are the property of their respective owners.

nVent reserves the right to change specifications without notice.