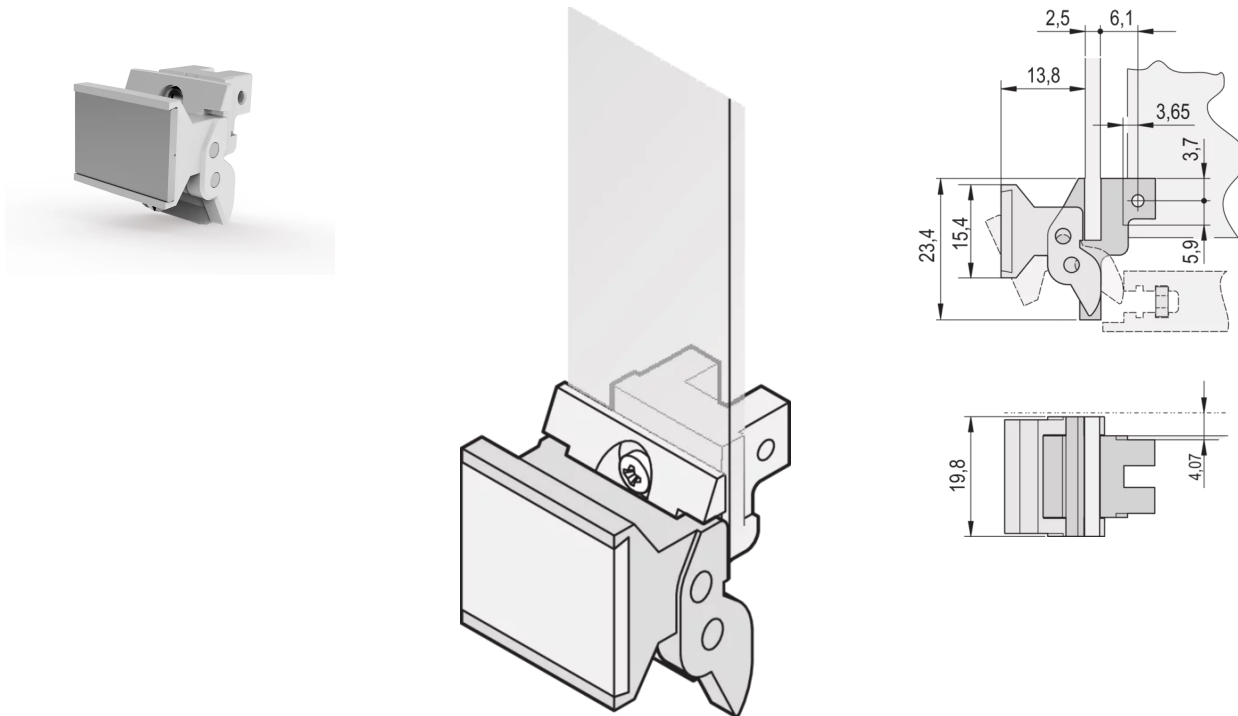


20817-858 EXTRACTOR HANDLE TRAPEZOID FORM, TYPE 2, RAL 7035,
WITHOUT ALIGNMENT PIN



KEY FEATURES

Preassembled handle

Extractor handle, PC

Identification plate, Al, 1.5 mm, anodized, cut edges plain

Availalbe with / without guiding pin

PRODUCT ATTRIBUTES

Product Type: Handle

Type: Extractor

Works With: Front Panels

Handle Type: Trapezoid, Type 2

Width: 19.8 mm

Material: Polycarbonate

Color: Light Grey

Flammability Rating: UL® 94V-0

Complies With: EN 45545-2, R22-R24, HL3; IEC 60297-3-101

Package Quantity: 10

Color Code: RAL 7035

Depth: 25.5 mm

Height: 23.4 mm

ADDITIONAL PRODUCT DETAILS

Extractor handle trapezoid 2 form can be used to extract PCBs. The handle is preassembled. This enables a user to mount the handle easily to a front panel. Available in 3 colors and with / without guiding PIN.

CERTIFICATIONS



North America

All locations
+1.763.422.2661
Chat with us:
schroff.nvent.com

Europe

Straubenhardt, Germany
+49.7082.794.0
Betschdorf, France
+33.3.88.90.64.90
Warsaw, Poland
+48.22.209.98.35
Assago, Italy
+39.02.932.7141
Chat with us:
schroff.nvent.com

Asia

Shanghai, China
+86.21.2412.6943
Qingdao, China
+86.532.8771.6101
Singapore
+65.6768.5800
Shin-Yokohama, Japan
+81.45.476.0271
Chat with us:
schroff.nvent.com

Middle East & India

Dubai, United Arab Emirates
+971.4.378.1700
Bangalore, India
+91.80.6715.2001
Istanbul, Turkey
+90.216.250.7374
Chat with us:
schroff.nvent.com



Our powerful portfolio of brands:
nVent.com **CADDY ERICO HOFFMAN RAYCHEM SCHROFF TRACER**

© 2023 nVent. All nVent marks and logos are owned or licensed by nVent Services GmbH or its affiliates. All other trademarks are the property of their respective owners.

nVent reserves the right to change specifications without notice.