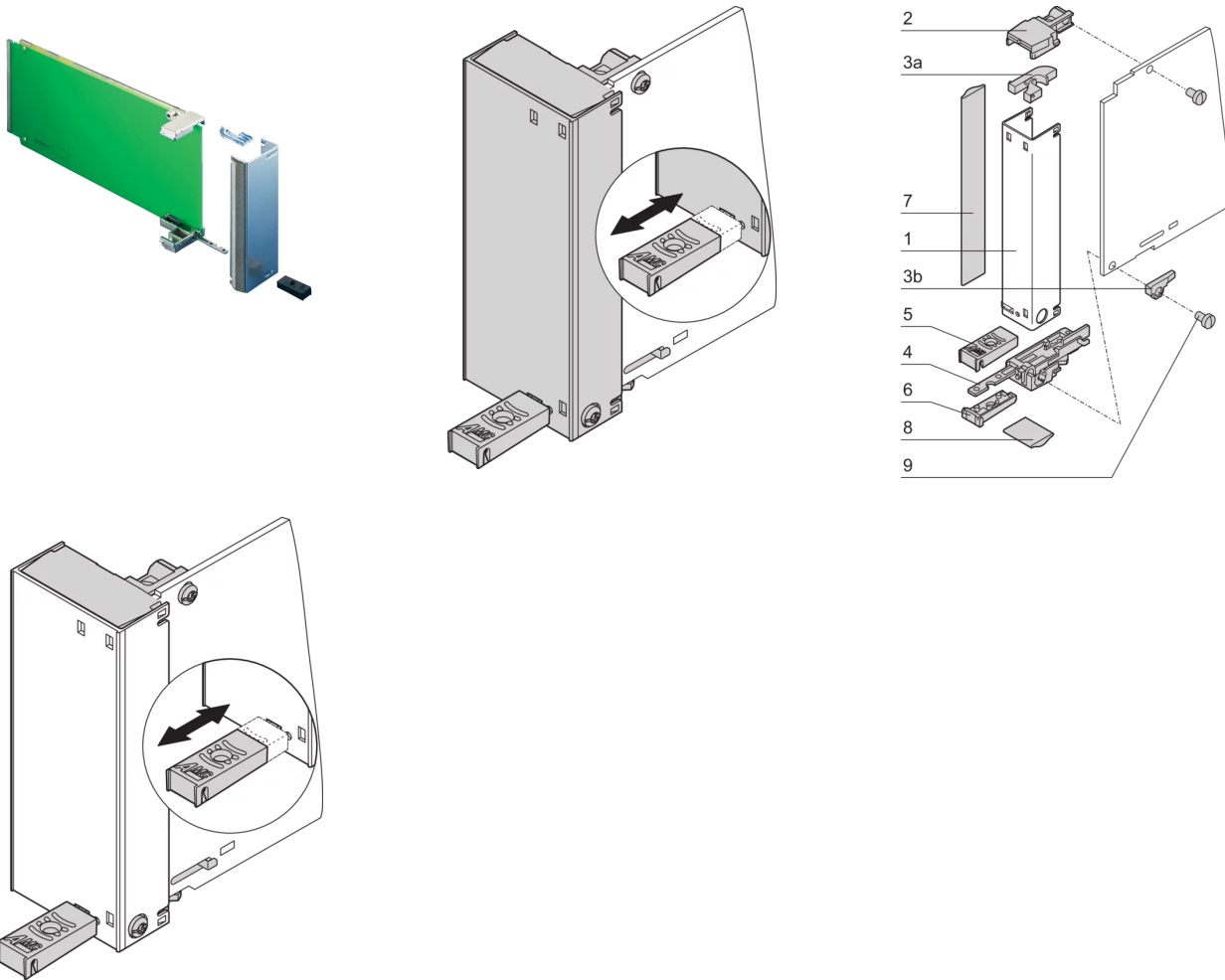


20849-151 AMC PULL-HANDLE MECHANISM, AMC.0-R2.0, SINGLE COMPACT



**KEY FEATURES**

Complete pull-handle mechanism, designed for microswitch activation (hot-swap), includes light pipe

For all nVent SCHROFF AdvancedMC modules

**PRODUCT ATTRIBUTES**

Product Type: Handle

Type: Extractor

Works With: MicroTCA Systems

Handle Type: Single Compact

Material: Polycarbonate

Color: Black

Flammability Rating: UL® 94V-0

## ADDITIONAL PRODUCT DETAILS

---

Handle mechanism AMC.0 Rev. 2.0, MTCA.1 and MTCA.4 Modules.

## CERTIFICATIONS

---



### North America

All locations

+1.763.422.2661

Chat with us:

[schroff.nvent.com](https://schroff.nvent.com)

### Europe

Straubenhardt, Germany

+49.7082.794.0

Betschdorf, France

+33.3.88.90.64.90

Warsaw, Poland

+48.22.209.98.35

Assago, Italy

+39.02.932.7141

Chat with us:

[schroff.nvent.com](https://schroff.nvent.com)

### Asia

Shanghai, China

+86.21.2412.6943

Qingdao, China

+86.532.8771.6101

Singapore

+65.6768.5800

Shin-Yokohama, Japan

+81.45.476.0271

Chat with us:

[schroff.nvent.com](https://schroff.nvent.com)

### Middle East & India

Dubai, United Arab Emirates

+971.4.378.1700

Bangalore, India

+91.80.6715.2001

Istanbul, Turkey

+90.216.250.7374

Chat with us:

[schroff.nvent.com](https://schroff.nvent.com)



Our powerful portfolio of brands:  
[nVent.com](https://nVent.com) **CADDY ERICO HOFFMAN RAYCHEM SCHROFF TRACER**

© 2023 nVent. All nVent marks and logos are owned or licensed by nVent Services GmbH or its affiliates. All other trademarks are the property of their respective owners.

nVent reserves the right to change specifications without notice.