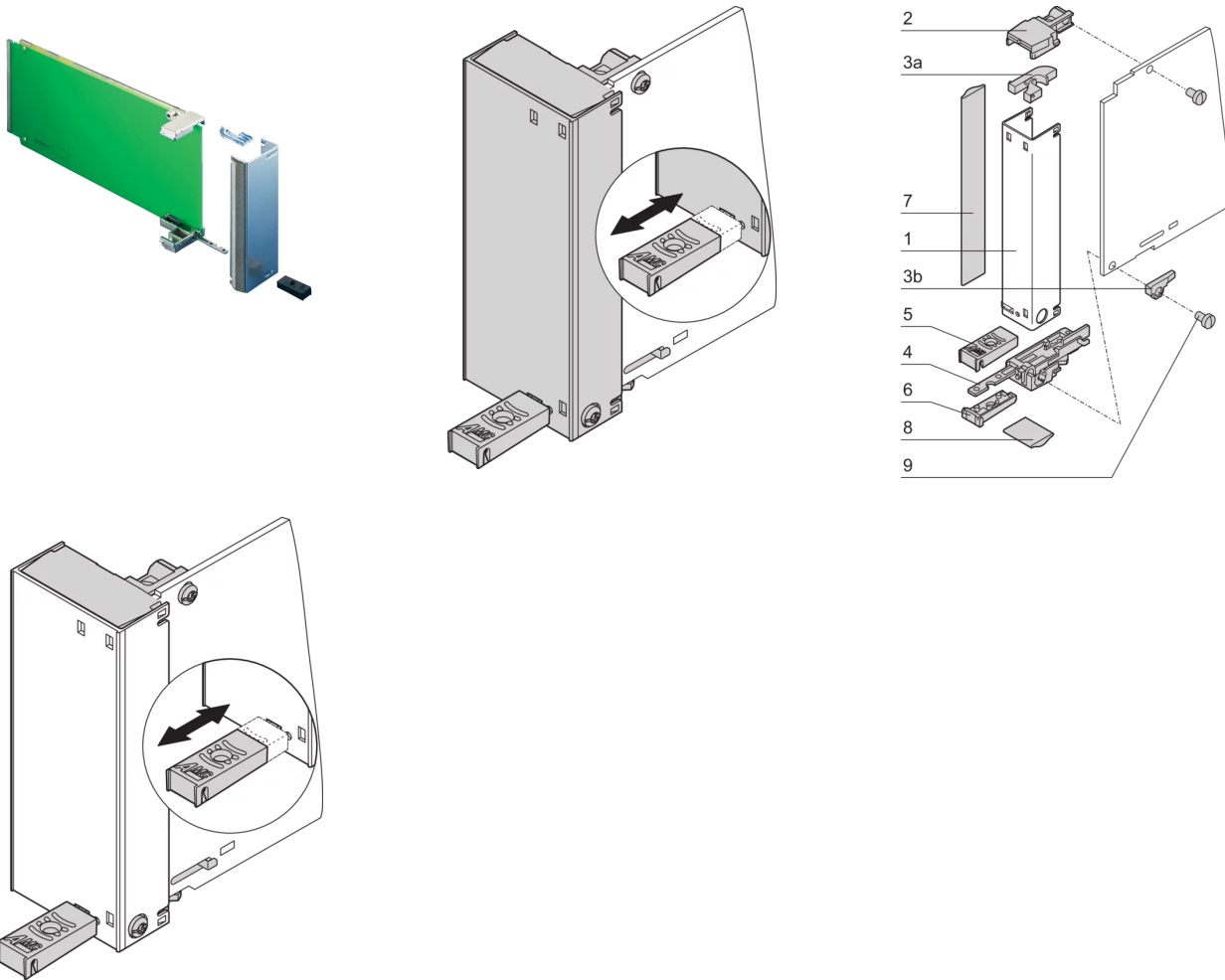


20849-155 AMC PULL-HANDLE MECHANISM, AMC.0-R2.0, DOUBLE MID-SIZE



KEY FEATURES

Complete pull-handle mechanism, designed for microswitch activation (hot-swap), includes light pipe

For all nVent SCHROFF AdvancedMC modules

PRODUCT ATTRIBUTES

Product Type: Handle

Type: Extractor

Works With: MicroTCA Systems

Handle Type: Double Mid-Size

Material: Polycarbonate

Color: Black

Flammability Rating: UL® 94V-0

ADDITIONAL PRODUCT DETAILS

Handle mechanism AMC.0 Rev. 2.0, MTCA.1 and MTCA.4 Modules.

CERTIFICATIONS



North America

All locations

+1.763.422.2661

Chat with us:

schroff.nvent.com

Europe

Straubenhardt, Germany

+49.7082.794.0

Betschdorf, France

+33.3.88.90.64.90

Warsaw, Poland

+48.22.209.98.35

Assago, Italy

+39.02.932.7141

Chat with us:

schroff.nvent.com

Asia

Shanghai, China

+86.21.2412.6943

Qingdao, China

+86.532.8771.6101

Singapore

+65.6768.5800

Shin-Yokohama, Japan

+81.45.476.0271

Chat with us:

schroff.nvent.com

Middle East & India

Dubai, United Arab Emirates

+971.4.378.1700

Bangalore, India

+91.80.6715.2001

Istanbul, Turkey

+90.216.250.7374

Chat with us:

schroff.nvent.com



Our powerful portfolio of brands:
nVent.com **CADDY ERICO HOFFMAN RAYCHEM SCHROFF TRACER**

© 2023 nVent. All nVent marks and logos are owned or licensed by nVent Services GmbH or its affiliates. All other trademarks are the property of their respective owners.

nVent reserves the right to change specifications without notice.