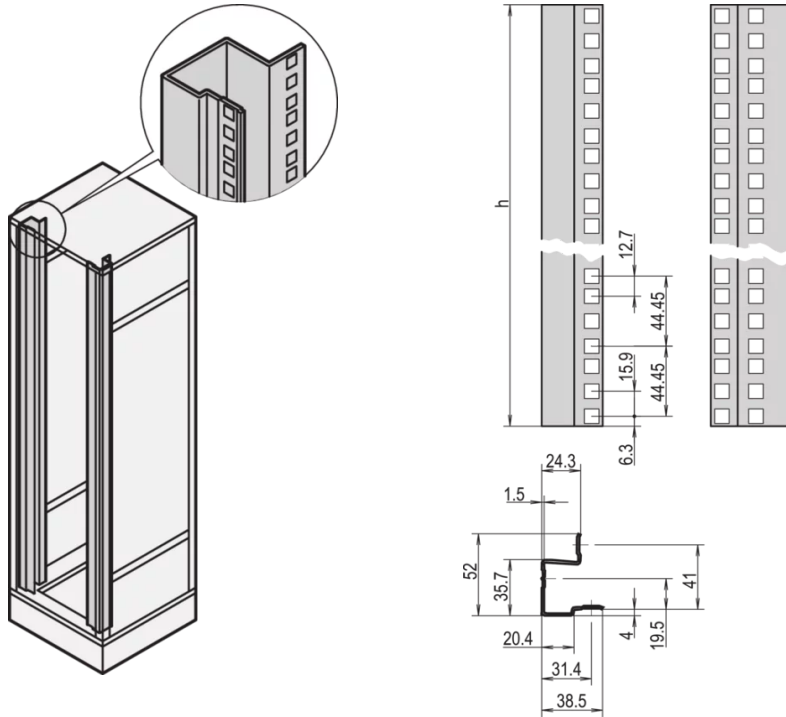


22117-354 EURORACK 19" PANEL/SLIDE MOUNT, 29 U, ALZN



KEY FEATURES

For depth-adjustable mounting

St, 1.5 mm, with EIA cut-out

For the assembly of a third 19" plane 1-pair of 19" panel/slide mounts and 2-pairs-of depth members are needed

PRODUCT ATTRIBUTES

Product Type: Slide Mount

Product Family: Eurorack

Type: 19" Panel Slide Mount

Finish: Aluminum-Zinc Plated

Rack Height: 29 U

Height: 1398 mm

ADDITIONAL PRODUCT DETAILS

Slide mount with adjustable increments.

CERTIFICATIONS



North America

All locations
+1.763.422.2661
Chat with us:
schroff.nvent.com

Europe

Straubenhardt, Germany
+49.7082.794.0
Betschdorf, France
+33.3.88.90.64.90
Warsaw, Poland
+48.22.209.98.35
Assago, Italy
+39.02.932.7141
Chat with us:
schroff.nvent.com

Asia

Shanghai, China
+86.21.2412.6943
Qingdao, China
+86.532.8771.6101
Singapore
+65.6768.5800
Shin-Yokohama, Japan
+81.45.476.0271
Chat with us:
schroff.nvent.com

Middle East & India

Dubai, United Arab Emirates
+971.4.378.1700
Bangalore, India
+91.80.6715.2001
Istanbul, Turkey
+90.216.250.7374
Chat with us:
schroff.nvent.com



Our powerful portfolio of brands:
nVent.com **CADDY ERICO HOFFMAN RAYCHEM SCHROFF TRACER**

© 2023 nVent. All nVent marks and logos are owned or licensed by nVent Services GmbH or its affiliates. All other trademarks are the property of their respective owners.

nVent reserves the right to change specifications without notice.