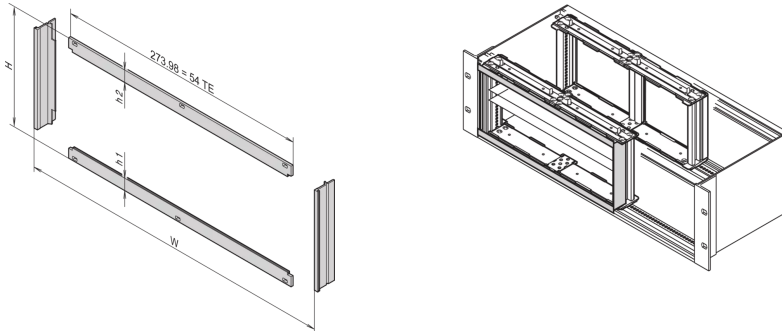


24564-109 FRONT FRAME FOR EMC SHIELDING FOR HORIZONTAL BOARDS MOUNTING, 3 U, 20 HP



KEY FEATURES

Front frame installation provides the contact between subracks and assemblies

PRODUCT ATTRIBUTES

Product Type: Side Panel

Product Family: EuropacPRO

Rack Height: 3 U

Rack Width: 20 HP

ADDITIONAL PRODUCT DETAILS

Front frame installation provides the contact between subracks and assemblies. It must be used if a customer has selected a horizontal board mounting Kit.

H=128.40 mm, h1=h2= 13.23 mm.

EMC contact strip, stainless steel, see Sub-assemblies/Front panels.

Please order accessories separately.



North America

All locations
+1.763.422.2661
Chat with us:
schroff.nvent.com

Europe

Straubenhardt, Germany
+49.7082.794.0
Betschdorf, France
+33.3.88.90.64.90
Warsaw, Poland
+48.22.209.98.35
Assago, Italy
+39.02.932.7141
Chat with us:
schroff.nvent.com

Asia

Shanghai, China
+86.21.2412.6943
Qingdao, China
+86.532.8771.6101
Singapore
+65.6768.5800
Shin-Yokohama, Japan
+81.45.476.0271
Chat with us:
schroff.nvent.com

Middle East & India

Dubai, United Arab Emirates
+971.4.378.1700
Bangalore, India
+91.80.6715.2001
Istanbul, Turkey
+90.216.250.7374
Chat with us:
schroff.nvent.com



Our powerful portfolio of brands:
nVent.com **CADDY ERICO HOFFMAN RAYCHEM SCHROFF TRACER**