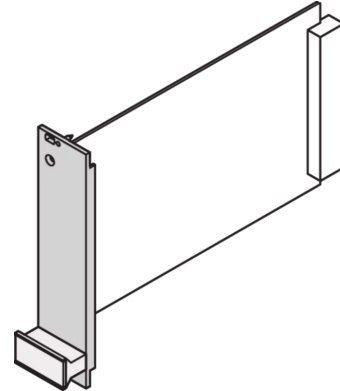
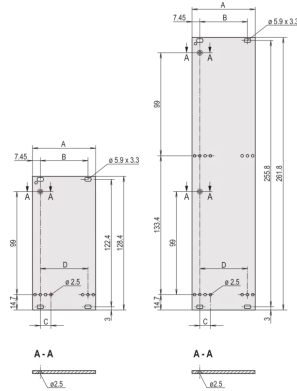


**30847-604 PLUG-IN UNIT FRONT PANEL, UNSHIELDED, FOR STATIC TRAPEZOID HANDLE, 3 U, 5 HP, 2.5 MM, AL, FRONT ANODIZED, REAR CONDUCTIVE**



**KEY FEATURES**

Front panel, unshielded

Front panel, Al, 2.5 mm, front anodized, conductive

**PRODUCT ATTRIBUTES**

Type: Front Panel for Handle (PIU)

Accessory Type: Front panel

Handle Type: Trapezoid, Static; Aluminum Profile

Mounting: Screw-on Front

EMC Shielding: No

Material: Aluminum

Front Finish: Anodized

Rear Finish: Conductive

Treated Edges: No

Rack Height: 3 U

Rack Width: 5 HP

Height: 128.4 mm

Width: 25 mm

Depth: 2.5 mm

Complies With: IEC 60297-3-101

Package Quantity: 5

## ADDITIONAL PRODUCT DETAILS

---

The front panel enables the assembly of a plastic or Alu-profile static trapezoid handle. The front panel cannot be shielded with a textile gasket.

## CERTIFICATIONS

---



### North America

All locations  
+1.763.422.2661  
Chat with us:  
[schroff.nvent.com](https://schroff.nvent.com)

### Europe

Straubenhardt, Germany  
+49.7082.794.0  
Betschdorf, France  
+33.3.88.90.64.90  
Warsaw, Poland  
+48.22.209.98.35  
Assago, Italy  
+39.02.932.7141  
Chat with us:  
[schroff.nvent.com](https://schroff.nvent.com)

### Asia

Shanghai, China  
+86.21.2412.6943  
Qingdao, China  
+86.532.8771.6101  
Singapore  
+65.6768.5800  
Shin-Yokohama, Japan  
+81.45.476.0271  
Chat with us:  
[schroff.nvent.com](https://schroff.nvent.com)

### Middle East & India

Dubai, United Arab Emirates  
+971.4.378.1700  
Bangalore, India  
+91.80.6715.2001  
Istanbul, Turkey  
+90.216.250.7374  
Chat with us:  
[schroff.nvent.com](https://schroff.nvent.com)



Our powerful portfolio of brands:  
[nVent.com](https://nVent.com) **CADDY ERICO HOFFMAN RAYCHEM SCHROFF TRACER**

© 2023 nVent. All nVent marks and logos are owned or licensed by nVent Services GmbH or its affiliates. All other trademarks are the property of their respective owners.

nVent reserves the right to change specifications without notice.