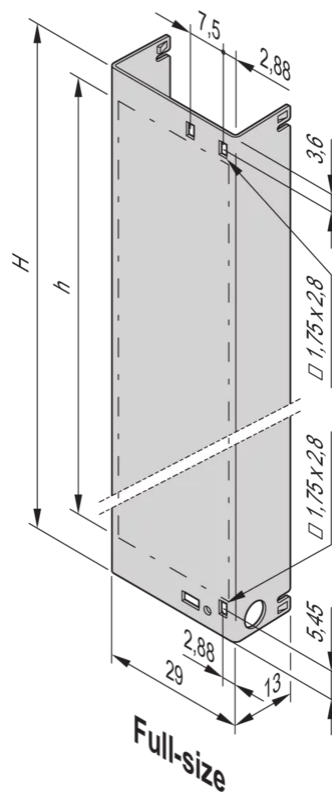
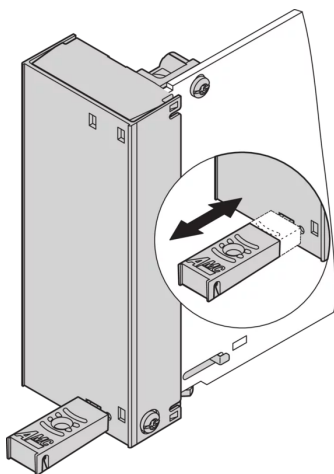
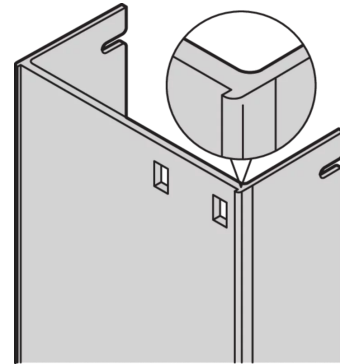
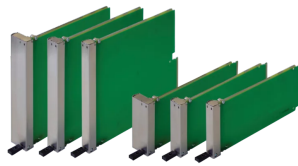
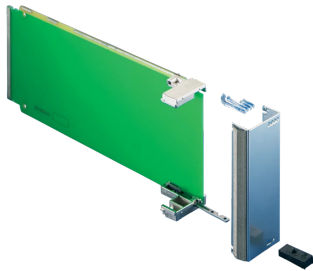


30849-694 AMC FRONT PANEL WITH PULL HANDLE, DOUBLE FULL-SIZE, 6 HP, AL



KEY FEATURES

In accordance with AMC.0 R2.0 specification

Front panel for pull-handle mechanism (with cut-outs for light pipe)

For the use together with the AMC Pull-handle mechanism, AMC.0-R2.0

PRODUCT ATTRIBUTES

Accessory Type: Front panel

Material: Aluminum

Rack Width: 6 HP

Height: 148.8 mm

Width: 29 mm

Depth: 2.5 mm

Front Finish: Raw

Rear Finish: Raw

Package Quantity: 1

ADDITIONAL PRODUCT DETAILS

AdvancedMC Front Panel including EMC gasket for AMC.0 Rev. 2.0 Modules.

CERTIFICATIONS



North America

All locations
+1.763.422.2661
Chat with us:
schroff.nvent.com

Europe

Straubenhardt, Germany
+49.7082.794.0
Betschdorf, France
+33.3.88.90.64.90
Warsaw, Poland
+48.22.209.98.35
Assago, Italy
+39.02.932.7141
Chat with us:
schroff.nvent.com

Asia

Shanghai, China
+86.21.2412.6943
Qingdao, China
+86.532.8771.6101
Singapore
+65.6768.5800
Shin-Yokohama, Japan
+81.45.476.0271
Chat with us:
schroff.nvent.com

Middle East & India

Dubai, United Arab Emirates
+971.4.378.1700
Bangalore, India
+91.80.6715.2001
Istanbul, Turkey
+90.216.250.7374
Chat with us:
schroff.nvent.com



Our powerful portfolio of brands:
nVent.com **CADDY ERICO HOFFMAN RAYCHEM SCHROFF TRACER**

© 2023 nVent. All nVent marks and logos are owned or licensed by nVent Services GmbH or its affiliates. All other trademarks are the property of their respective owners.

nVent reserves the right to change specifications without notice.