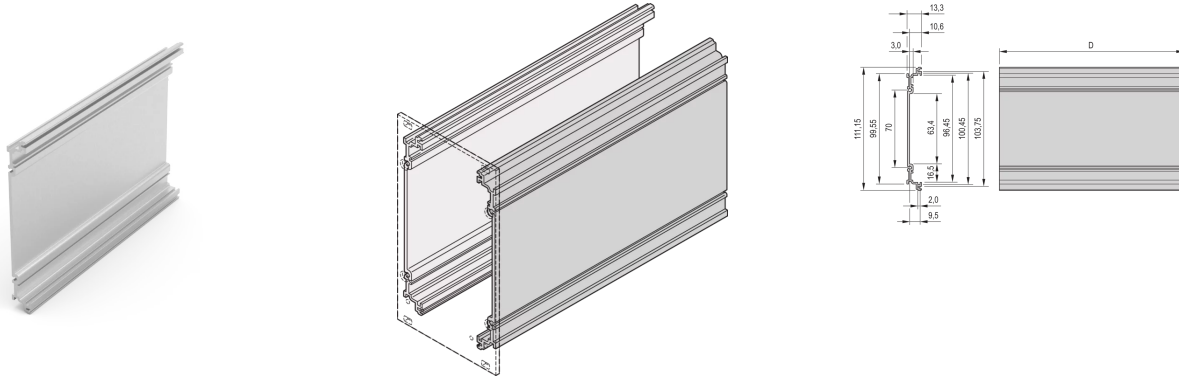


34812-100 FRAME TYPE PLUG-IN UNIT EXTRUDED SIDE PANEL, 3-U, 160 MM, SYMMETRICAL



KEY FEATURES

Integrated lateral groove to accept a PCB

Side Panel for constructing a plug-in unit consists of an Al extrusion

PRODUCT ATTRIBUTES

Product Type: Side Panel

Type: Side Panel

Rack Height: 3 U

Length: 160 mm

Material: Aluminium Extrusion

Package Quantity: 10

Depth: 167 mm

Height: 111.15 mm

Width: 13.3 mm

ADDITIONAL PRODUCT DETAILS

Side Panel for frame type plug-in unit.

Please take into consideration that deliveries may be carried out in the stated SPQs (SPQ, e.g. 5 pieces, 10 pieces, 50 pieces, etc.). Differing order quantities (e.g. 2 pieces) may be changed to the next possible delivery quantity = Standard Pack Quantity.

CERTIFICATIONS



North America

All locations
+1.763.422.2661
Chat with us:
schroff.nvent.com

Europe

Straubenhardt, Germany
+49.7082.794.0
Betschdorf, France
+33.3.88.90.64.90
Warsaw, Poland
+48.22.209.98.35
Assago, Italy
+39.02.932.7141
Chat with us:
schroff.nvent.com

Asia

Shanghai, China
+86.21.2412.6943
Qingdao, China
+86.532.8771.6101
Singapore
+65.6768.5800
Shin-Yokohama, Japan
+81.45.476.0271
Chat with us:
schroff.nvent.com

Middle East & India

Dubai, United Arab Emirates
+971.4.378.1700
Bangalore, India
+91.80.6715.2001
Istanbul, Turkey
+90.216.250.7374
Chat with us:
schroff.nvent.com



Our powerful portfolio of brands:
nVent.com **CADDY ERICO HOFFMAN RAYCHEM SCHROFF TRACER**

© 2023 nVent. All nVent marks and logos are owned or licensed by nVent Services GmbH or its affiliates. All other trademarks are the property of their respective owners.

nVent reserves the right to change specifications without notice.