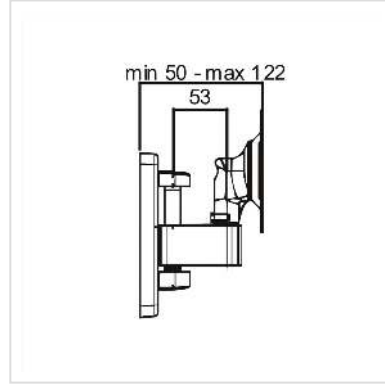


# ROLINE LCD Monitor Arm, Wall Mount, 3 Joints

<b>Product No.</b>	17.03.0006
<b>Manufacturer</b>	ROLINE
<b>Manufacturer No.</b>	17.03.0006
<b>EAN (single piece)</b>	7611990141265



- Quick and simple installation
- Meets VESA 75/100/200x100
- Wall mount fixing
- Material: steel
- Colour: black

TV size: 25 - 81 cm (10"- 32")

Load capacity: up to 20 kg

No. of pivots: 5

Max. arm length: 12,2 cm

Tiltable up and down: 20°

## Technical specifications

Manufacturer	ROLINE
Product group	LCD-Monitor arms
Product type	Monitor Arms, wall mount
Colour	black
Load capacity	25 kg
Quantity of pivots	5
Adjustments	Adjustable spring gauge
Inclinable	yes

Rotatable	yes
Wall distance	5 cm
Number of monitors	1
Max. Screen diagonal (cm)	100 cm
Max. Screen diagonal (inch)	40 inch
Min. Screen diagonal (cm)	25 cm
Min. Screen diagonal (inch)	10 inch
VESA 75 x 75 mm	yes
VESA 100 x 100 mm	yes
VESA 200 x 100 mm	yes
VESA 200 x 200 mm	yes
Material group	metal
Weight	1334.4 g
Height of packaging (single piece)	60 mm
Width of packaging (single piece)	260 mm
Depth of packaging (single piece)	250 mm
Package weight (single piece)	1.49 kg