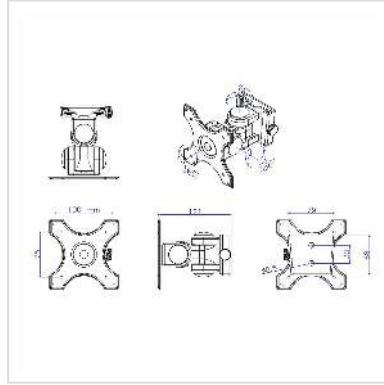


VALUE LCD Monitor Wall Mount Kit, 2 Joints

Product No.	17.99.1125
Manufacturer	VALUE
Manufacturer No.	17.99.1125
EAN (single piece)	7611990185689



- Space saving and solid mounting of a monitor on walls
- Screen can be swiveled, tilted and rotated
- Easy to mount with sliding bracket design
- Meets with VESA 75 x 75 mm or 100 x 100 mm
- Load capacity: 8 kg

Technical specifications

Manufacturer	VALUE
Product group	LCD-Monitor arms
Product type	Monitor Arms, wall mount
Colour	grey
Load capacity	8 kg
Quantity of pivots	3
Fixing	wall mount
Maximal arm length	125 mm
Adjustments	Adjustable spring gauge
Inclinable	yes
Rotatable	yes
Number of monitors	1

VESA 75 x 75 mm	yes
-----------------	-----

VESA 100 x 100 mm	yes
-------------------	-----

Material group	metal
----------------	-------

Weight	901.2 g
--------	---------

Height of packaging (single piece)	130 mm
---------------------------------------	--------

Width of packaging (single piece)	130 mm
--------------------------------------	--------

Depth of packaging (single piece)	140 mm
--------------------------------------	--------

Package weight (single piece)	1.007 kg
----------------------------------	----------