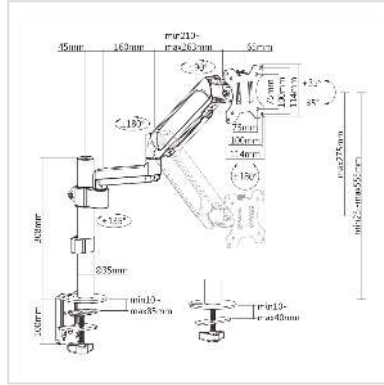


VALUE Single Monitor Arm, Pole Mount, 4 Joints, Desk Clamp

Product No.	17.99.1181
Manufacturer	VALUE
Manufacturer No.	17.99.1181
EAN (single piece)	7630049627659



With its sturdy construction and effortless adjustment, this pole-mounted spring-assisted monitor arm holds a monitor securely, freeing up valuable desk space. Ideal for organizing and optimizing any workspace at home or in the office. Thanks to the VESA quick-release plate, the monitor can be attached or removed quickly and easily. Integrated cable management keeps cables out of sight and tidy.

- Single Monitor Pole-Mounted Spring-Assisted Monitor Arm, four joints
- Pole Mount
- Fit Screen Size: 17"-32"
- With a C-clamp for desk mount
- The height of the LCD monitor is adjustable
- Meets VESA 75 (75 x 75 mm) or VESA 100 (100 x 100 mm)

Technical data:

- Load capacity: up to 9 kg
- Tilt Range: +35° ~ -35°
- Swivel Range: +90° ~ -90°
- Screen Rotation: +180° ~ -180°
- Arm Full Extension: 468mm
- Pole Height: 308mm
- Installation: Clamp, Grommet
- Suggested Desktop Thickness:
Clamp: 10 ~ 85mm
Grommet: 10 ~ 40mm

Technical specifications

Manufacturer	VALUE
Product group	LCD-Monitor arms
Product type	Monitor Arms, Desk Clamp
Colour	black
Maximum weight capacity	9 kg
Quantity of pivots	4
Fixing	desk clamp
Maximal arm length	468 mm
Adjustments	Adjustable spring gauge
Inclinable	yes
Height adjustable	yes
Rotatable	yes
Number of monitors	1
Max. Screen diagonal (cm)	81 cm
Max. Screen diagonal (inch)	32 inch
Min. Screen diagonal (cm)	43 cm
Min. Screen diagonal (inch)	17 inch
VESA 75 x 75 mm	yes
VESA 100 x 100 mm	yes
Material group	metal
Technical particularity	vertically adjustable
Weight	3200 g
Height of packaging (single piece)	130 mm
Width of packaging (single piece)	230 mm

Depth of packaging (single piece)	400 mm
--------------------------------------	--------

Package weight (single piece)	3.7 kg
----------------------------------	--------