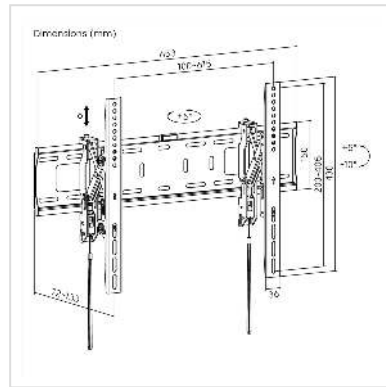


VALUE TV Wall Mount, tiltable, 37" - 80" (93,98 - 203,2 cm), < 75kg, VESA 600x400

Product No.	17.99.1185
Manufacturer	VALUE
Manufacturer No.	17.99.1185
EAN (single piece)	7630049634428



Large TV sets mounted on conventional tilting TV wall mounts often hit the wall when tilted. However, this VALUE TV wall mount offers a particularly long extension length. The distance to the wall can therefore be up to 133 mm, so that large televisions can be fully tilted. In addition, the swivel function offers a flexible viewing angle.

- For screens from 37 inch to 80 inch (93,98 - 203,2 cm)
- Max. VESA 600x400
- VESA Compatible: 200x200, 200x300, 300x200, 200x400, 400x200, 300x300, 300x400, 400x300, 600x200, 400x400, 600x300, 600x400
- Load capacity up to 75kg
- Tilt range: +5° to -10°
- Swivel range: +5° to -5°
- Wall distance of 72 - 133 mm
- Securing against unintentional loosening of the mounting hooks
- Integrated spirit level

Technical specifications

Manufacturer	VALUE
Product group	LCD-Monitor arms
Product type	TV Wall Mount
Colour	black

Maximum weight capacity	75 kg
Fixing	Wall mount
Inclinable	yes
Height adjustable	yes
Rotatable	yes
Wall distance	72 mm
Number of monitors	1
Max. Screen diagonal (cm)	203.2 cm
Max. Screen diagonal (inch)	80 inch
Min. Screen diagonal (cm)	93.98 cm
Min. Screen diagonal (inch)	37 inch
VESA 200 x 200 mm	yes
VESA 300 x 200 mm	yes
VESA 300 x 300 mm	yes
VESA 400 x 200 mm	yes
VESA 400 x 300 mm	yes
VESA 400 x 400 mm	yes
VESA 600 x 200 mm	yes
VESA 600 x 300 mm	yes
VESA 600 x 400 mm	yes
Material group	metal
Technical particularity	tiltable
Height	430 mm
Width	653 mm
Depth	133 mm
Weight	3280 g

Height of packaging (single piece)	70 mm
---------------------------------------	-------

Width of packaging (single piece)	170 mm
--------------------------------------	--------

Depth of packaging (single piece)	680 mm
--------------------------------------	--------

Package weight (single piece)	4 kg
----------------------------------	------