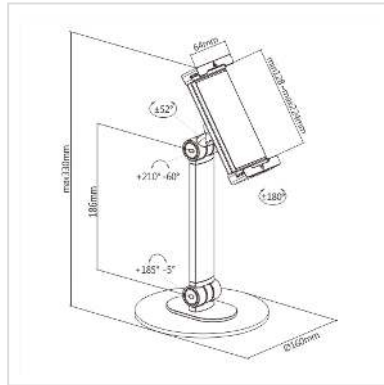


# VALUE Tabletop Stand/Freestanding base for Tablet

<b>Product No.</b>	17.99.1193
<b>Manufacturer</b>	VALUE
<b>Manufacturer No.</b>	17.99.1193
<b>EAN (single piece)</b>	7630049627765



**The slim and stylish design offers an elegant look. With the adjustable holder, tablets from 4.7"-12.9" can be accommodated with little to no effort. The large, solid base can hold tablets weighing 1 kg firmly in place.**

- The stylish design offers elegant appearance
- Suitable for 4.7"-12.9" tablets
- Large solid base can hold tablets with a weight up to 1kg
- The soft rubber pads hold your device securely without scratches or damages
- Integrated ball joint allows rotating, tilting and swiveling in any direction
- Adjustable angle for optimal viewing positions
- Large solid base for enhanced stability

- Color: matte black
- Dimensions: 160 x 160 x 330mm (6.3"x 6.3"x 13")
- Fits screen sizes: 4.7"-12.9"
- Weight capacity: 1kg
- Tilt range: +210° ~ -60°
- Swivel range: +52° ~ -52°
- Screen rotation: +180° ~ -180°
- Adjustable holder width: 128~224mm (5" ~ 8.8")

## Technical specifications

Manufacturer	VALUE
Product group	Tablet Holder

Product type	Accessories for iPad, Ebook, Tablet PC
Colour	black
Weight	300 g
Height of packaging (single piece)	50 mm
Width of packaging (single piece)	250 mm
Depth of packaging (single piece)	180 mm
Package weight (single piece)	1.02 kg