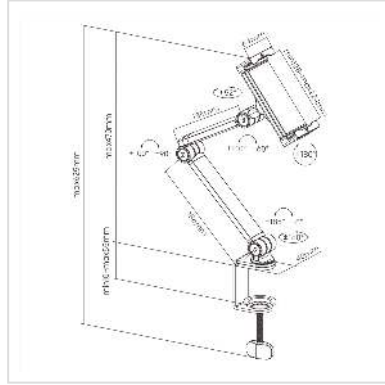


VALUE Universal Adjustable Tablet Clamp Mount

| | |
|---------------------------|---------------|
| Product No. | 17.99.1194 |
| Manufacturer | VALUE |
| Manufacturer No. | 17.99.1194 |
| EAN (single piece) | 7630049627772 |



The universal tablet clamp is perfect for everyday work and entertainment. The C-clamp holds the device firmly and multiple protective pads keep the device securely and prevent scratches. The 360° mounting head can be freely rotated for any desired viewing angle. Suitable for 4.7"-12.9" tablets.

- Suitable for 4.7" - 12.9" tablets
- Integrated Ball Joint: allows rotating, tilting and swiveling in any direction
- Adjustable Angle Viewing: for optimal viewing positions
- Clamp Mounting Design: firmly attaches to the table, providing great stability
- Precise cutouts for complete access to all buttons, cameras, speakers and ports.
- The C-clamp is compatible with most worksurface within 10-55mm (0.39"~2.2") and holds the device firmly in place
- Multiple protective pads hold the device securely and prevent scratches
- The 360° mounting head can be rotated freely for any desired viewing angle
- Color: matte black

Dimensions: 145x64x625mm(5.7"x2.5"x24.6")

Fit Screen Size: 4.7"-12.9"

Weight Capacity: 1kg(2.2lbs)

Tilt Range: +210°~-60°

Swivel Range: +52°~-52°

Screen Rotation: +180°~-180°

Adjustable Holder Width: 128~224mm(5"~8.8")

Clamp Range: 10~55mm(0.39"~2.2")

Technical specifications

| | |
|---------------------------------------|--|
| Manufacturer | VALUE |
| Product group | Tablet Holder |
| Product type | Accessories for iPad, Ebook, Tablet PC |
| Colour | black |
| Weight | 500 g |
| Height of packaging (single piece) | 60 mm |
| Width of packaging (single piece) | 60 mm |
| Depth of packaging (single piece) | 350 mm |
| Package weight (single piece) | 0.7 kg |