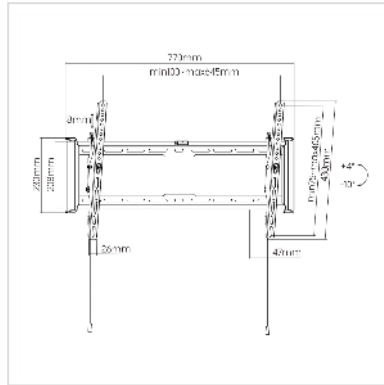


VALUE TV Wall Mount, 47mm Wall Distance, < 75kg, VESA 600x400, tiltable

Product No.	17.99.1221
Manufacturer	VALUE
Manufacturer No.	17.99.1221
EAN (single piece)	7630049627710



Stable and tiltable TV wall mount with just 47mm wall distance - the load capacity is up to 75kg and the mount supports maximum VESA 600x400.

- For screens from 37 inch to 80 inch (max. VESA 600x400)
- VESA Compatible: 200x200,300x200,300x300,400x200,400x300,400x400,600x400
- Load capacity up to 75kg
- Tiltable suspension
- Tilt range: +4° - -10°
- Very small wall distance of 47mm
- Securing against unintentional loosening of the mounting hooks
- Integrated spirit level

Technical specifications

Manufacturer	VALUE
Product group	LCD-Monitor arms
Product type	TV Wall Mount
Colour	black
Load capacity	75 kg
Fixing	Wall mount
Inclinable	yes

Rotatable	no
Wall distance	47 mm
Number of monitors	1
Max. Screen diagonal (cm)	203.2 cm
Max. Screen diagonal (inch)	80 inch
Min. Screen diagonal (cm)	94 cm
Min. Screen diagonal (inch)	37 inch
VESA 200 x 200 mm	yes
VESA 300 x 200 mm	yes
VESA 300 x 300 mm	yes
VESA 400 x 200 mm	yes
VESA 400 x 300 mm	yes
VESA 400 x 400 mm	yes
VESA 600 x 400 mm	yes
Material group	metal
Technical particularity	tiltable
Height	430 mm
Width	770 mm
Depth	47 mm
Weight	2720 g
Height of packaging (single piece)	60 mm
Width of packaging (single piece)	260 mm
Depth of packaging (single piece)	810 mm
Package weight (single piece)	3 kg