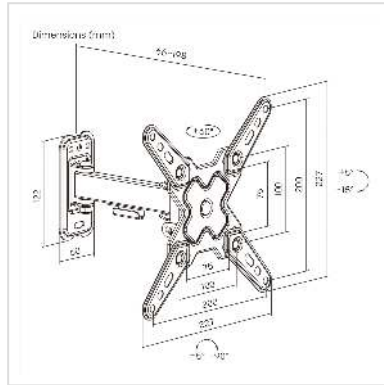


# VALUE TV Monitor Arm, Wall Mount, < 109cm, < 20kg, 2 joints

<b>Product No.</b>	17.99.1233
<b>Manufacturer</b>	VALUE
<b>Manufacturer No.</b>	17.99.1233
<b>EAN (single piece)</b>	7630049634619



## For wall mounting TV screens with VESA adapter.

- Quick and simple installation
- Meets VESA 75x75, 100x100, 100x200, 200x100 and 200x200
- Detachable VESA Plate
- Wall mount fixing
- Material: Steel
- Colour: Black

Fits screen sizes: 33 - 109 cm (13"-43")

Load capacity: up to 20 kg

Max. arm length: 19.8 cm

Tilt range: +5° ~ -15°

Swivel Range: +60° ~ -60°

Screen Rotation: +5° ~ -90°

### Technical specifications

Manufacturer	VALUE
Product group	LCD-Monitor arms
Product type	Monitor Arms, wall mount
Colour	black

Maximum weight capacity	20 kg
Quantity of pivots	2
Maximal arm length	19,8 cm
Inclinable	yes
Rotatable	yes
Wall distance	6.6 cm
Number of monitors	1
Max. Screen diagonal (cm)	109 cm
Max. Screen diagonal (inch)	43 inch
Min. Screen diagonal (cm)	33 cm
Min. Screen diagonal (inch)	13 inch
VESA 75 x 75 mm	yes
VESA 100 x 100 mm	yes
VESA 200 x 100 mm	yes
VESA 200 x 200 mm	yes
Material group	metal
Height	227 mm
Width	227 mm
Depth	198 mm
Weight	850 g
Height of packaging (single piece)	60 mm
Width of packaging (single piece)	130 mm
Depth of packaging (single piece)	250 mm

Package weight (single piece) 1 kg