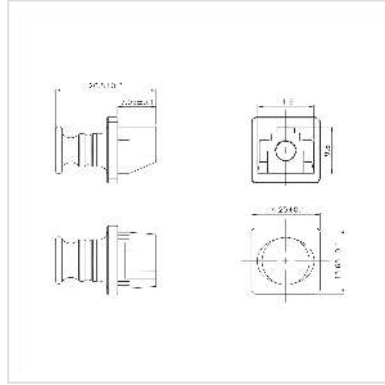


# VALUE RJ45 Socket Dust Protector, black

<b>Product No.</b>	26.99.0322
<b>Manufacturer</b>	VALUE
<b>Manufacturer No.</b>	26.99.0322
<b>EAN (single piece)</b>	7630049621954



- To protect RJ45/network sockets and patch panels against dust when ports are not in use
- Material: PVC
- Color: Black
- Content: 10 pcs.

## Technical specifications

Manufacturer	VALUE
Product group	Connection technology TP
Product type	Cover
Colour	black
Weight	17.3 g
Height of packaging (single piece)	30 mm
Width of packaging (single piece)	20 mm
Depth of packaging (single piece)	50 mm
Package weight (single piece)	0.01 kg